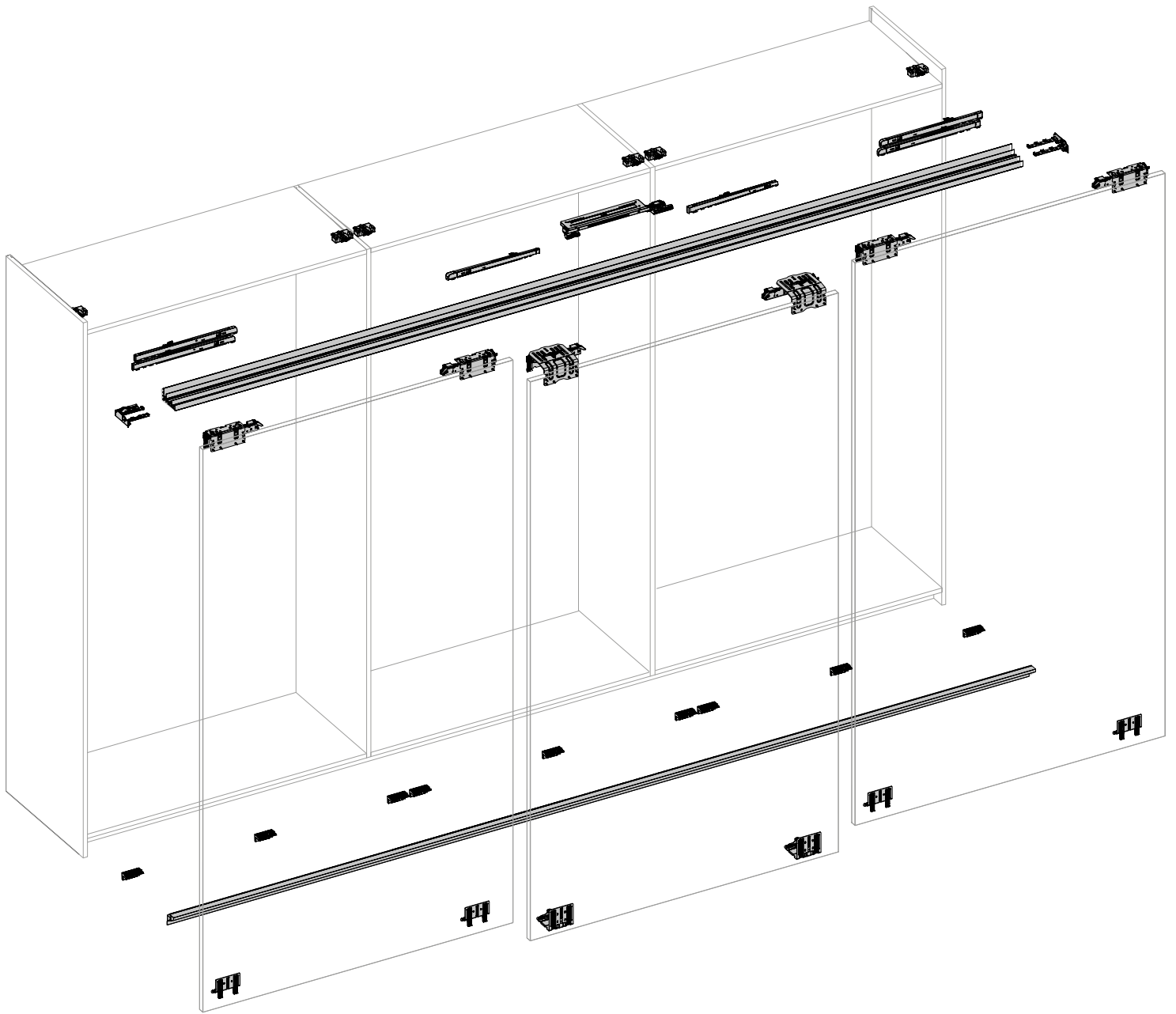
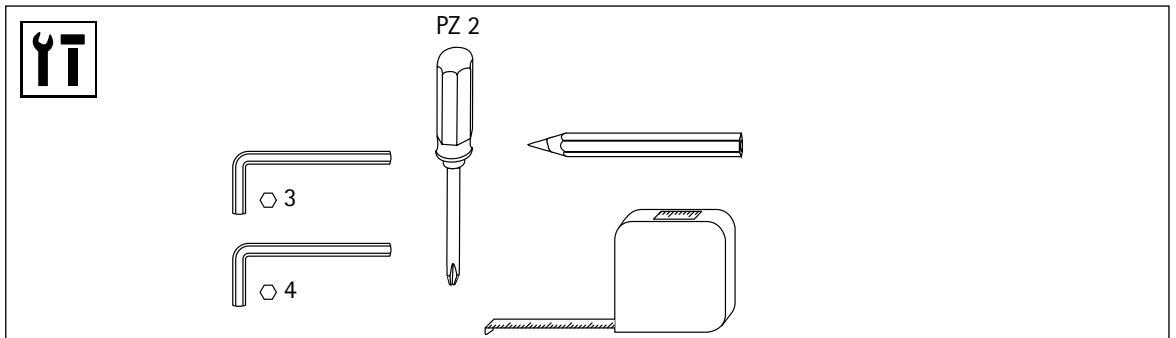
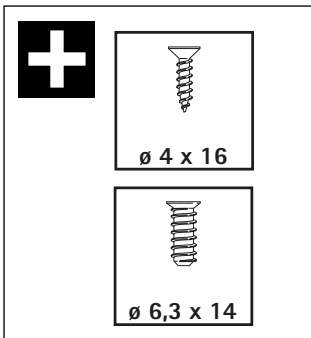
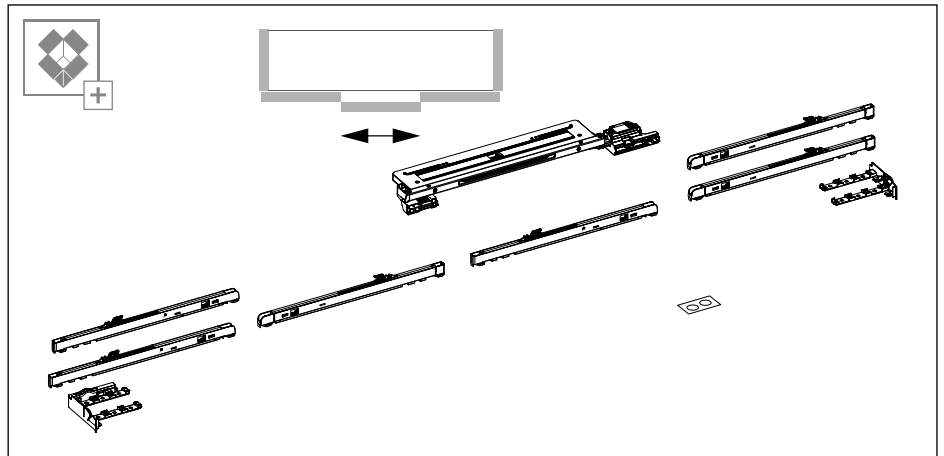
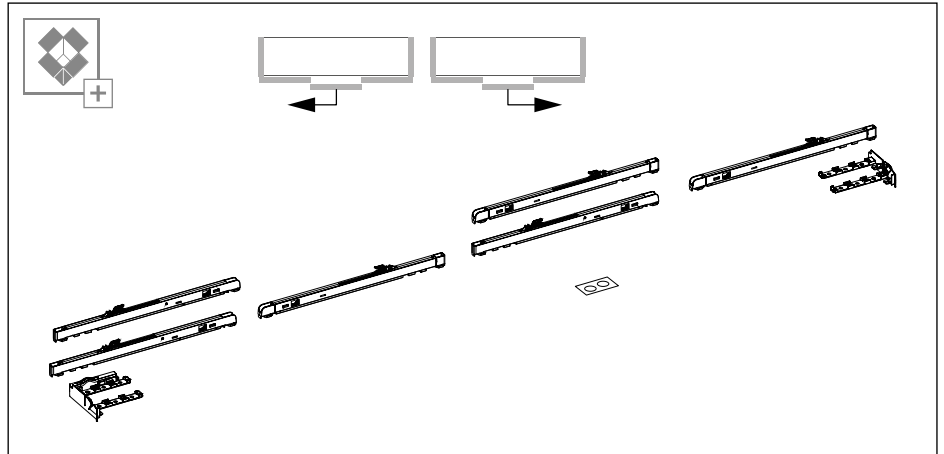
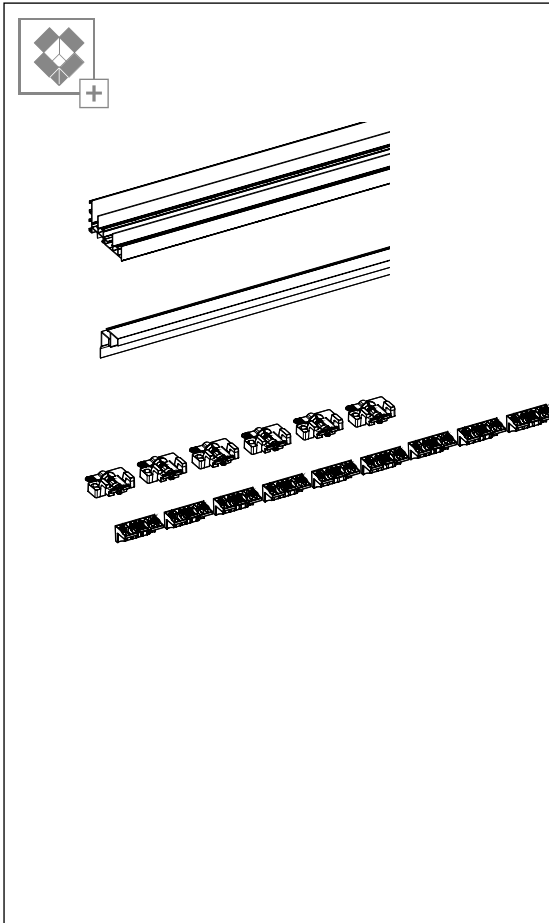
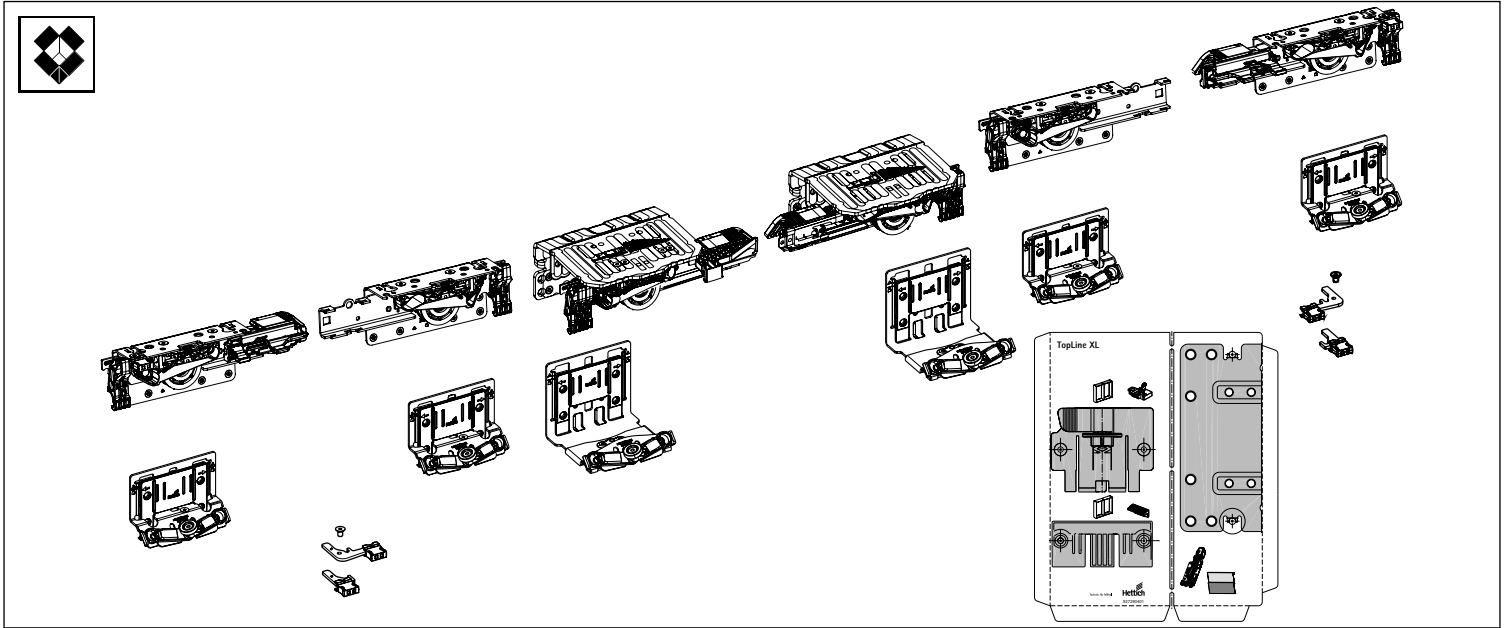
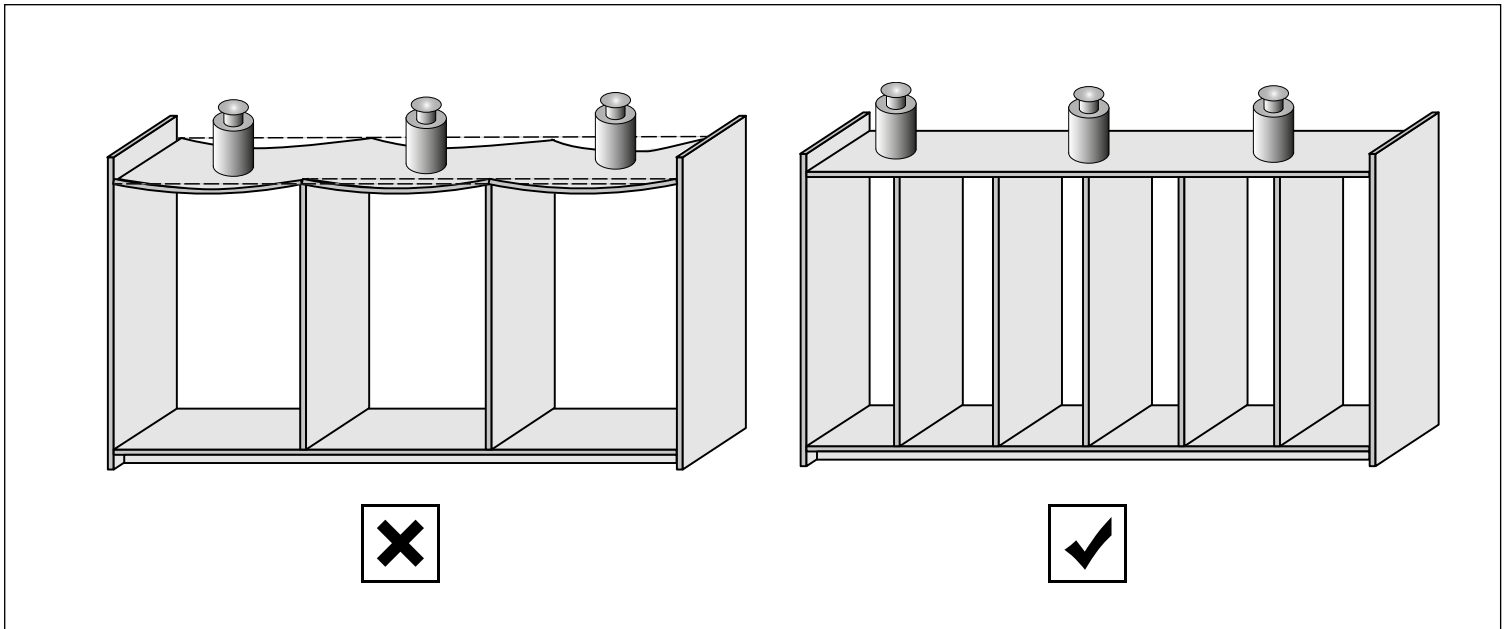
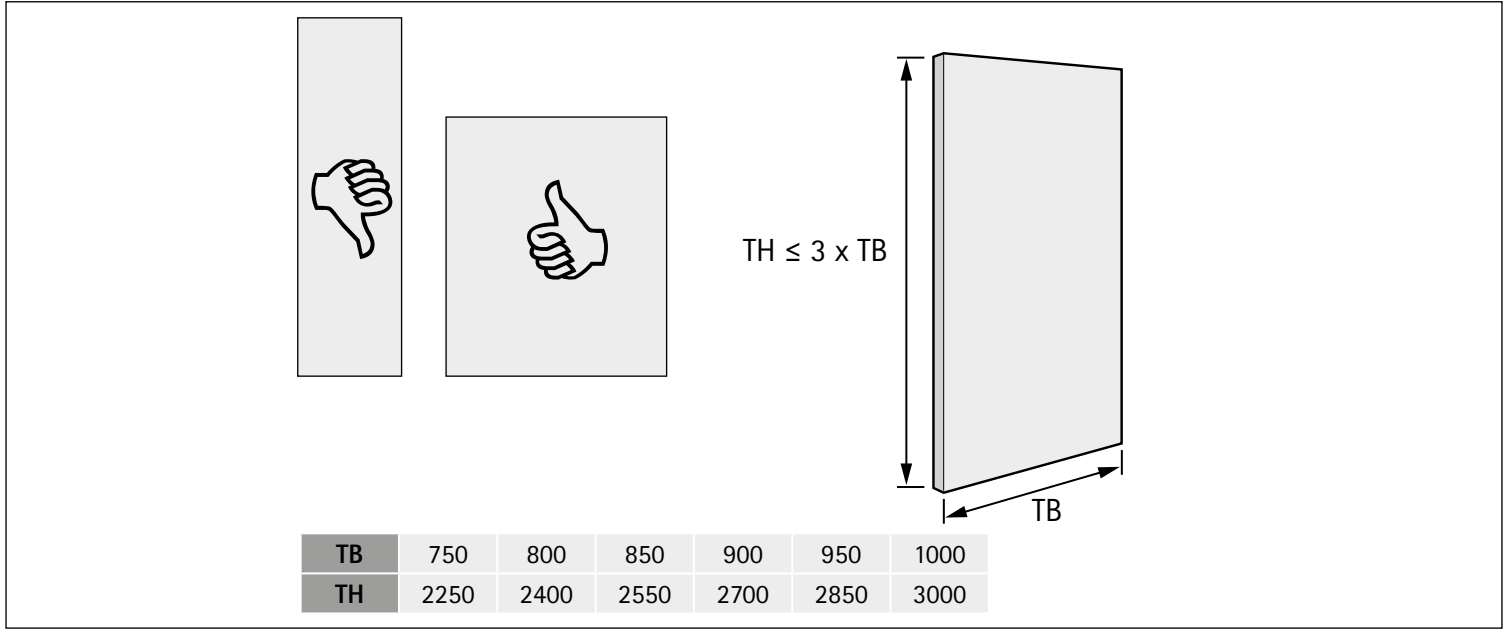
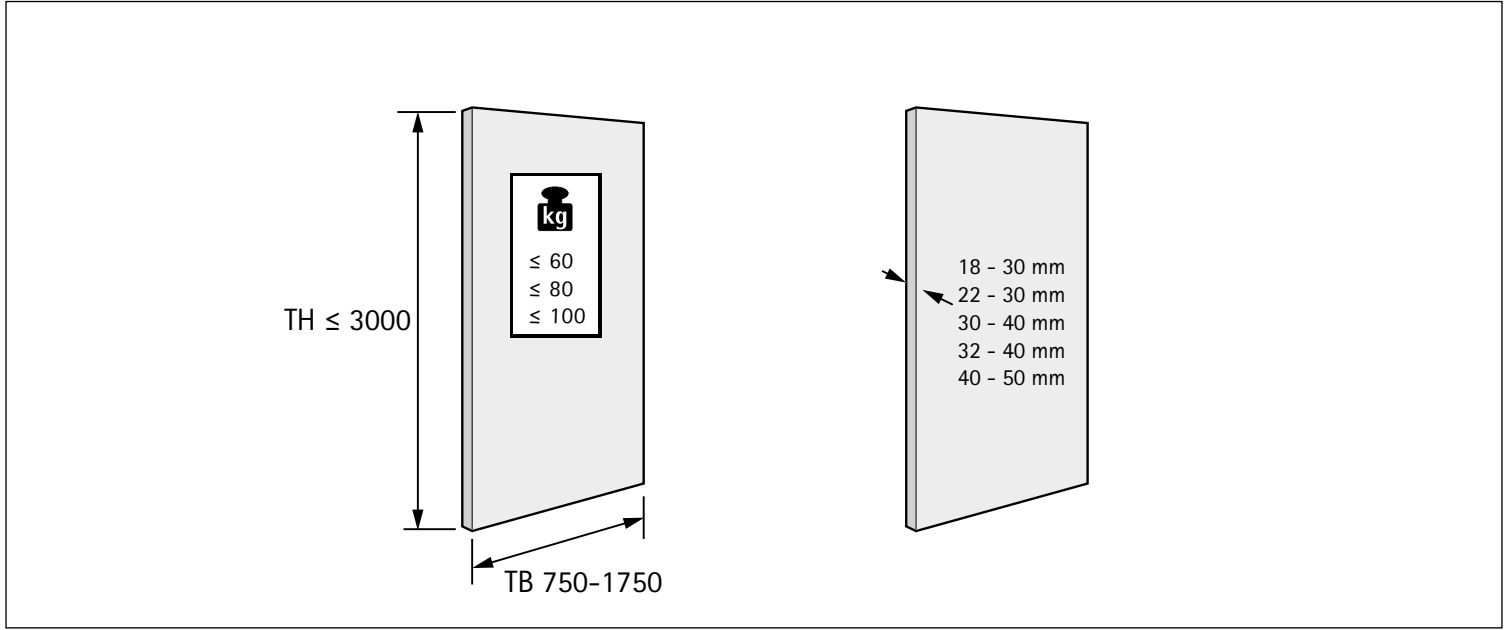




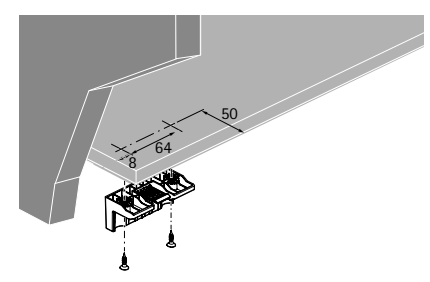
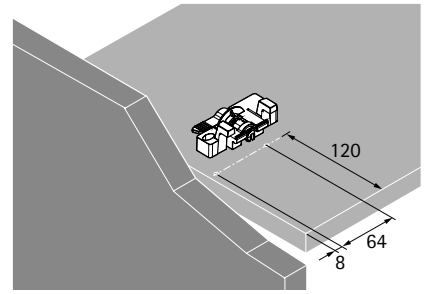
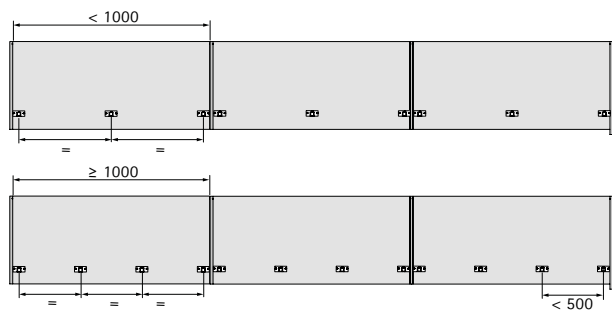
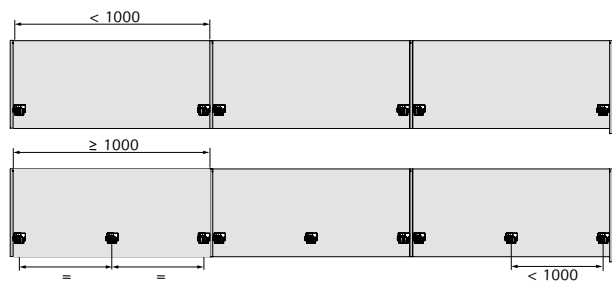
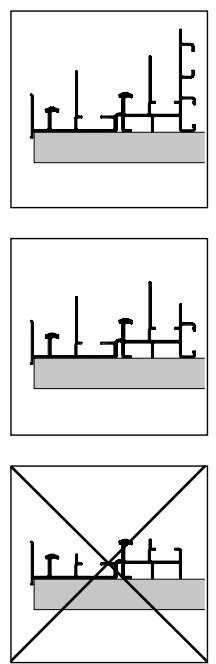
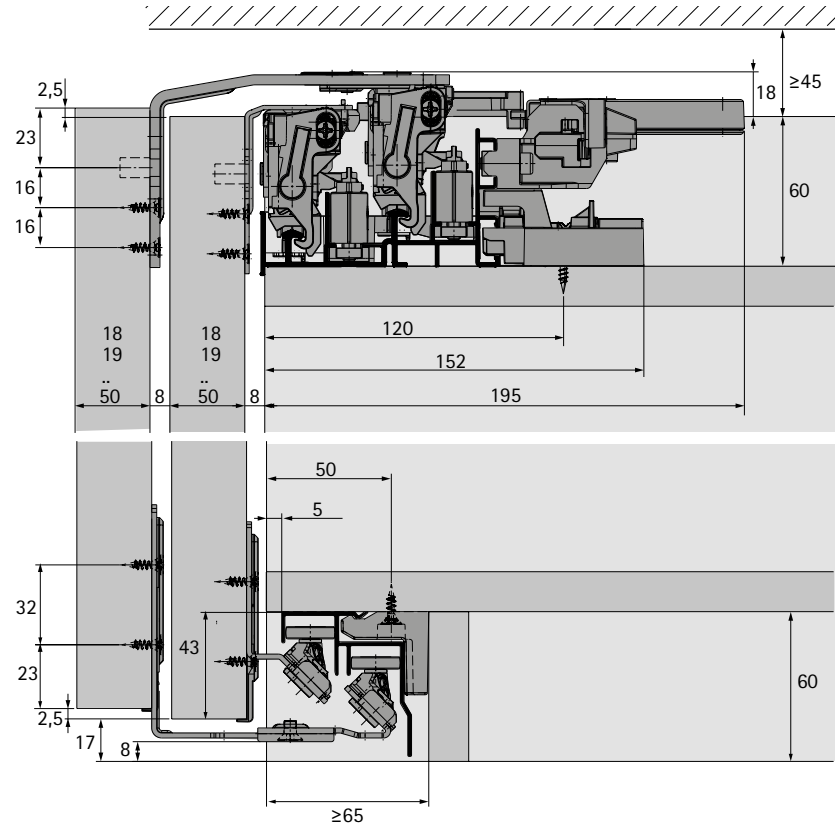
TopLine XL



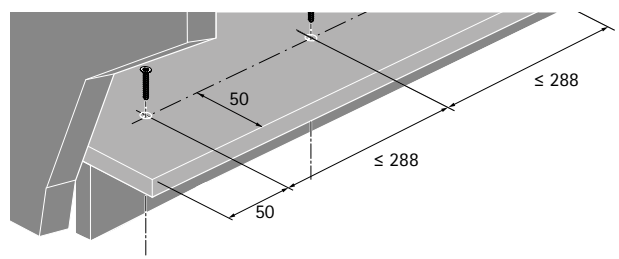
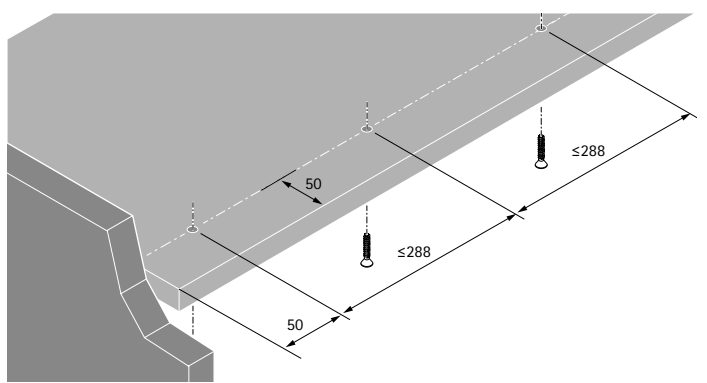
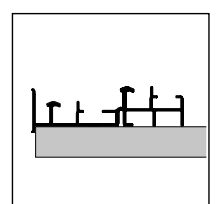
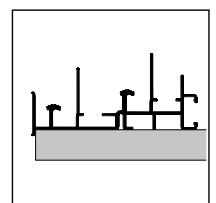
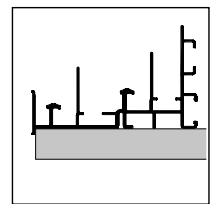
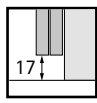
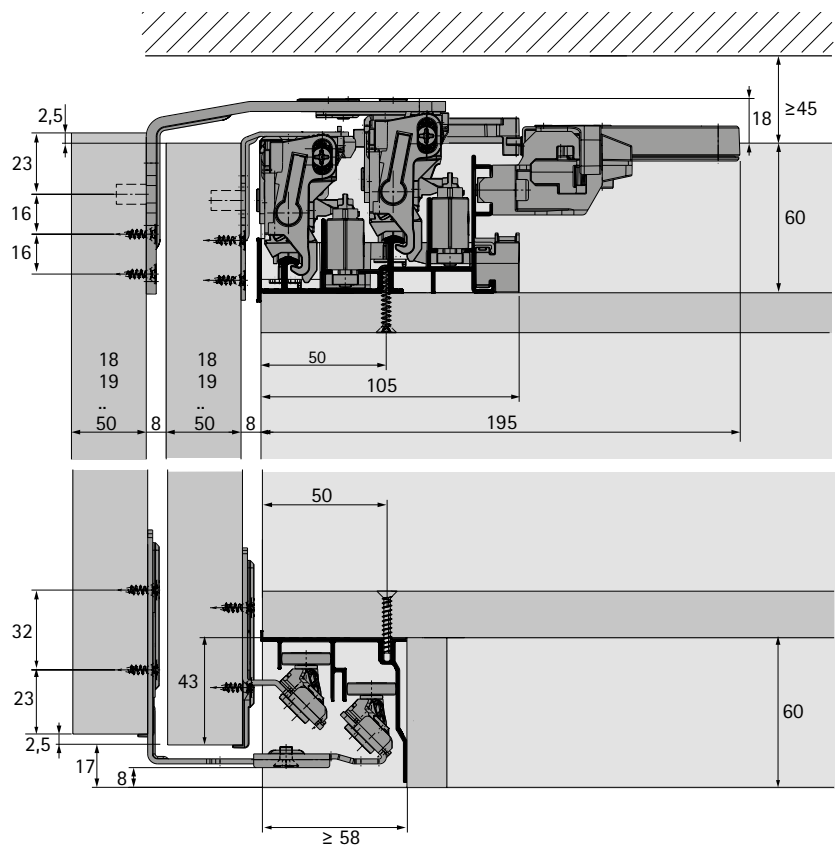


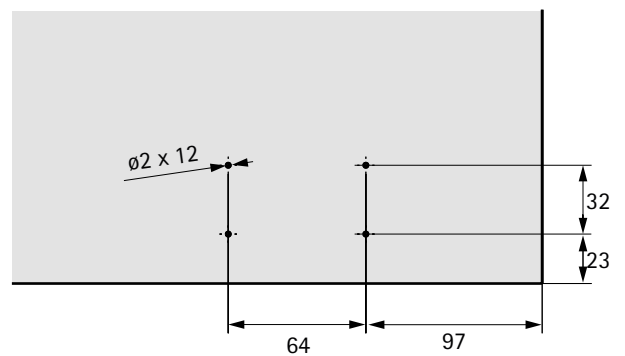
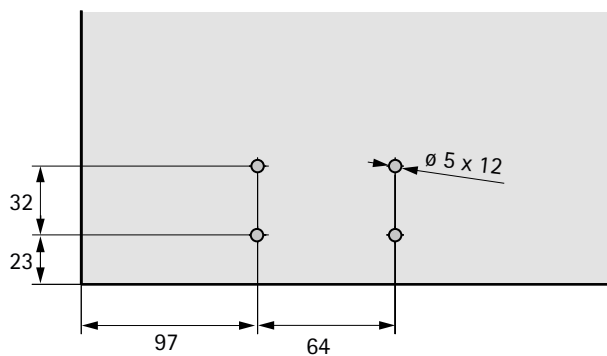
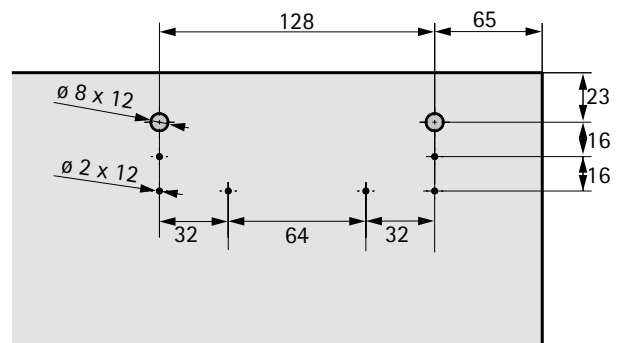
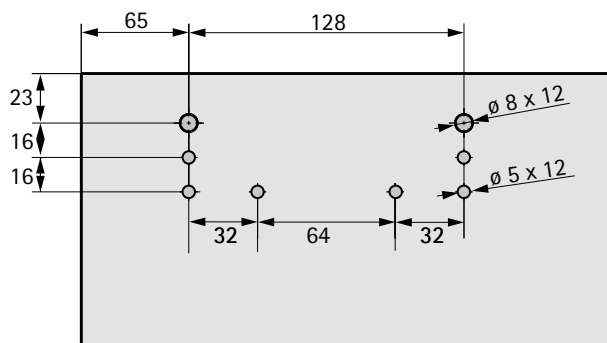
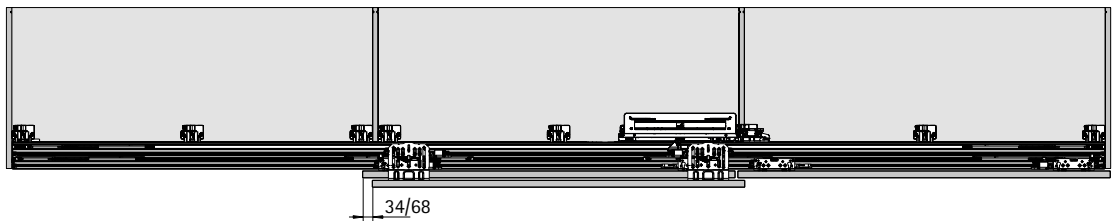
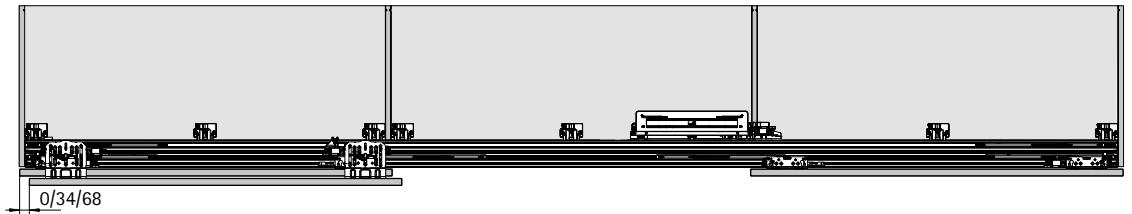
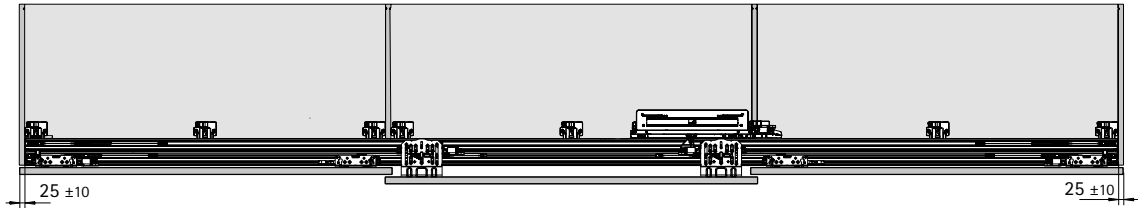


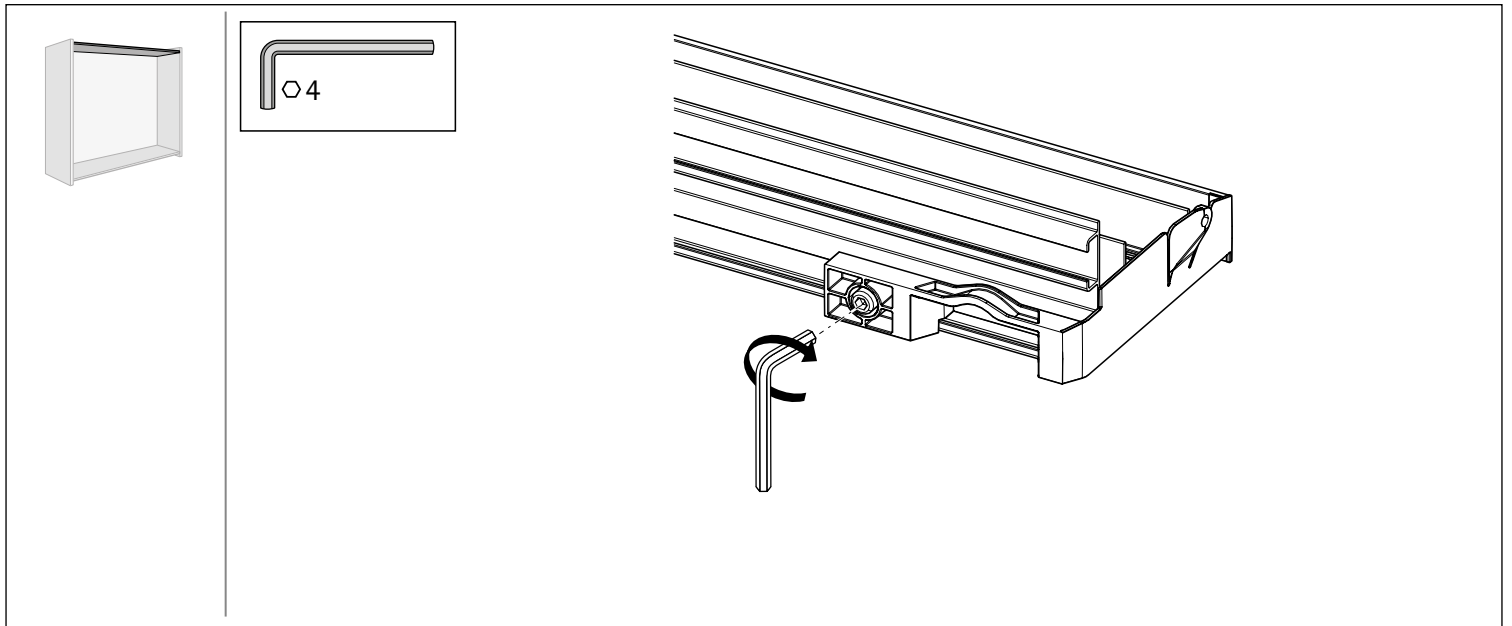
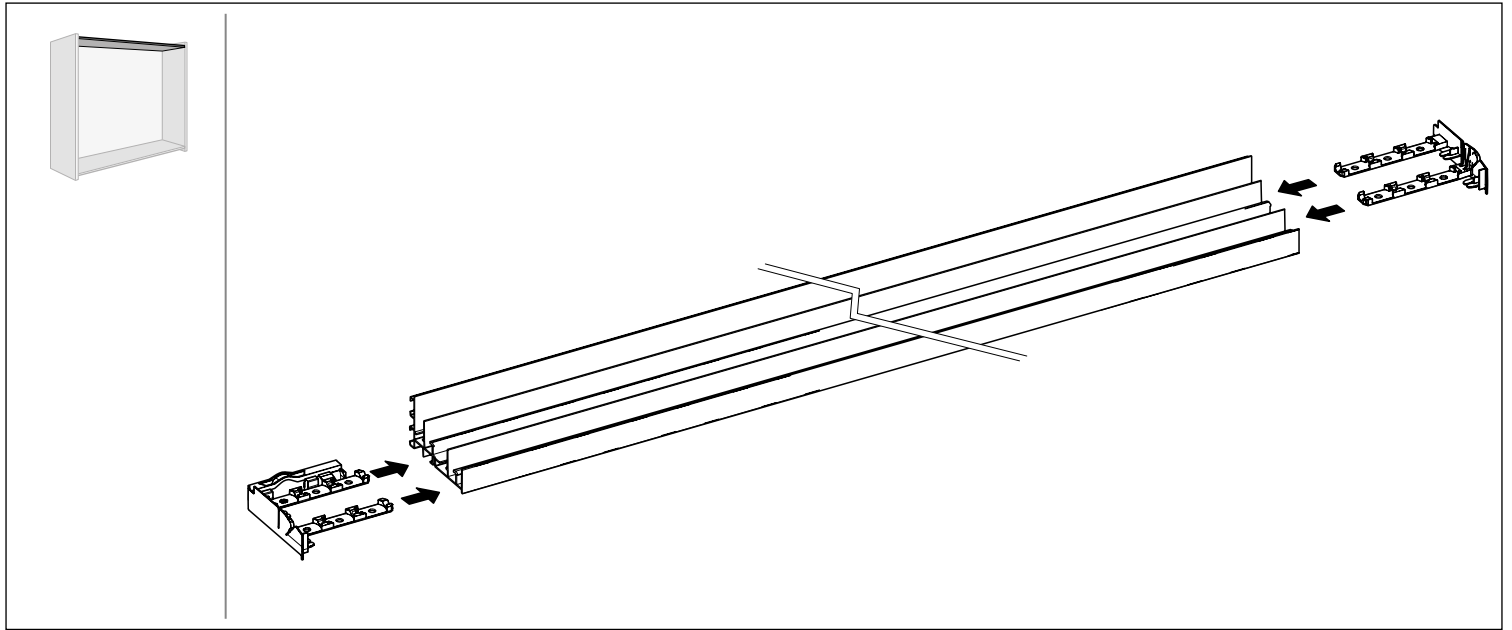
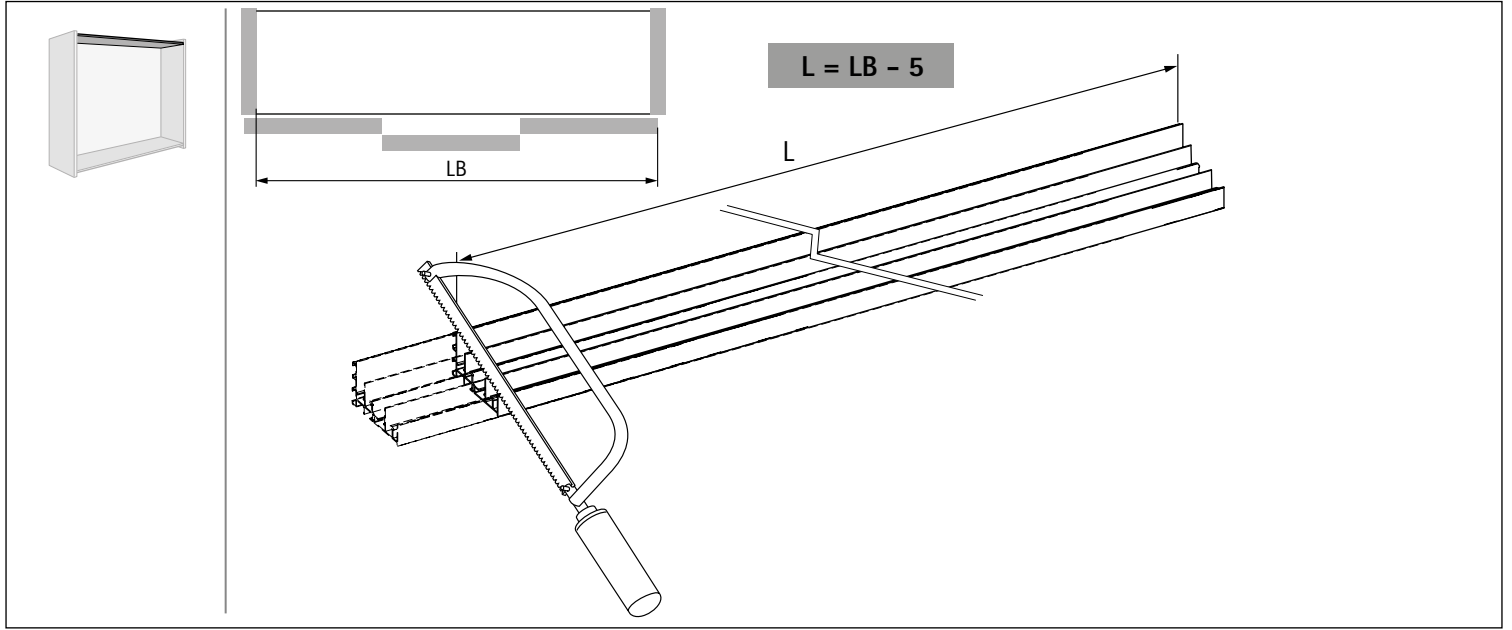
A

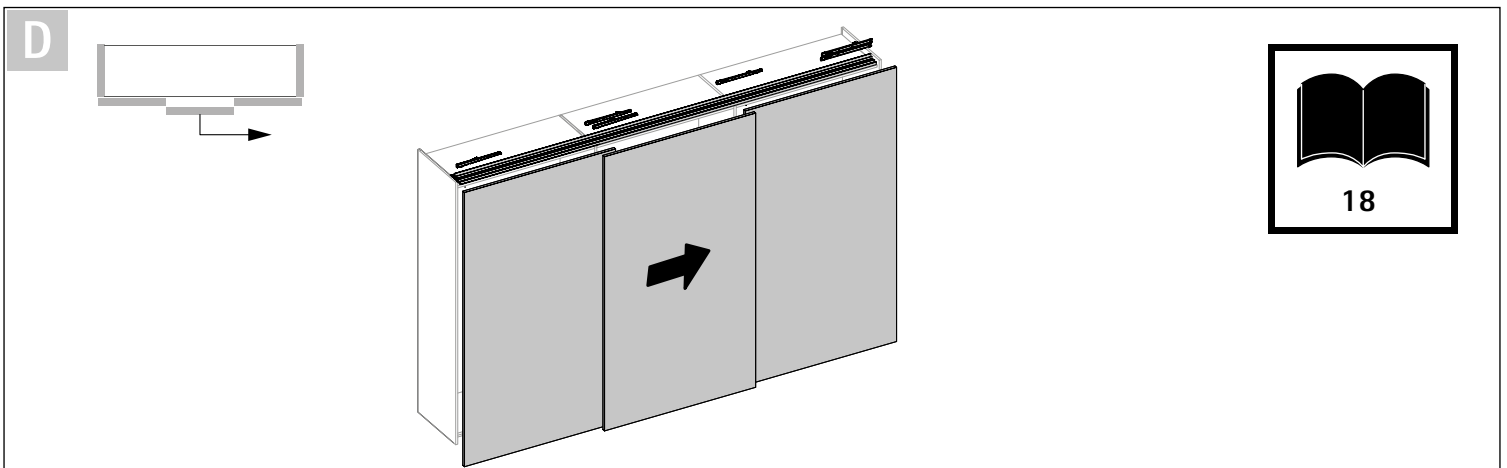
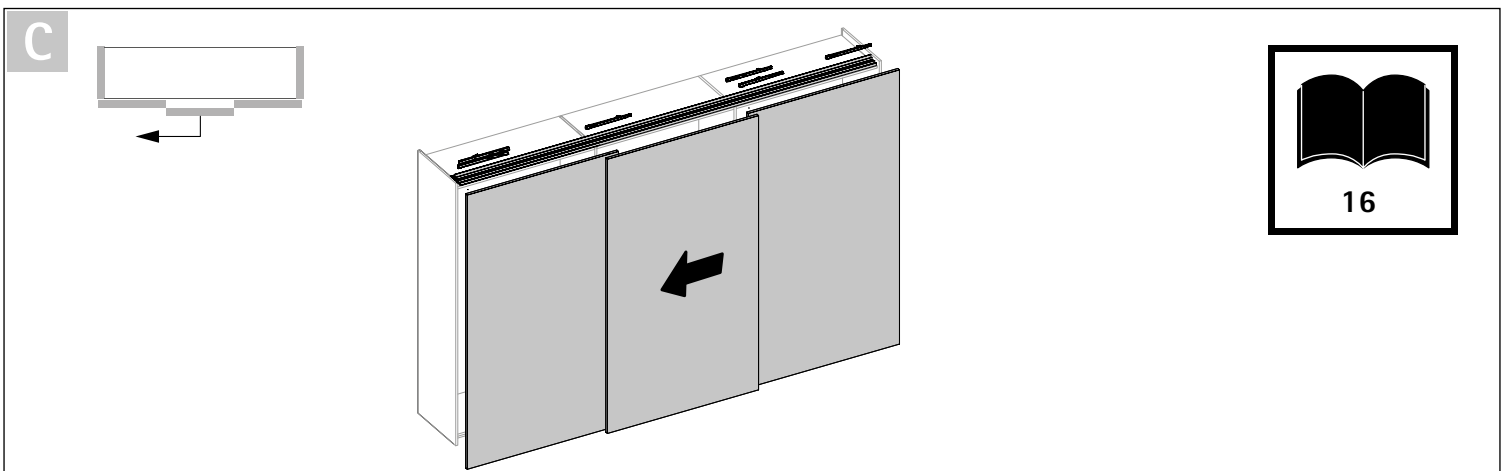
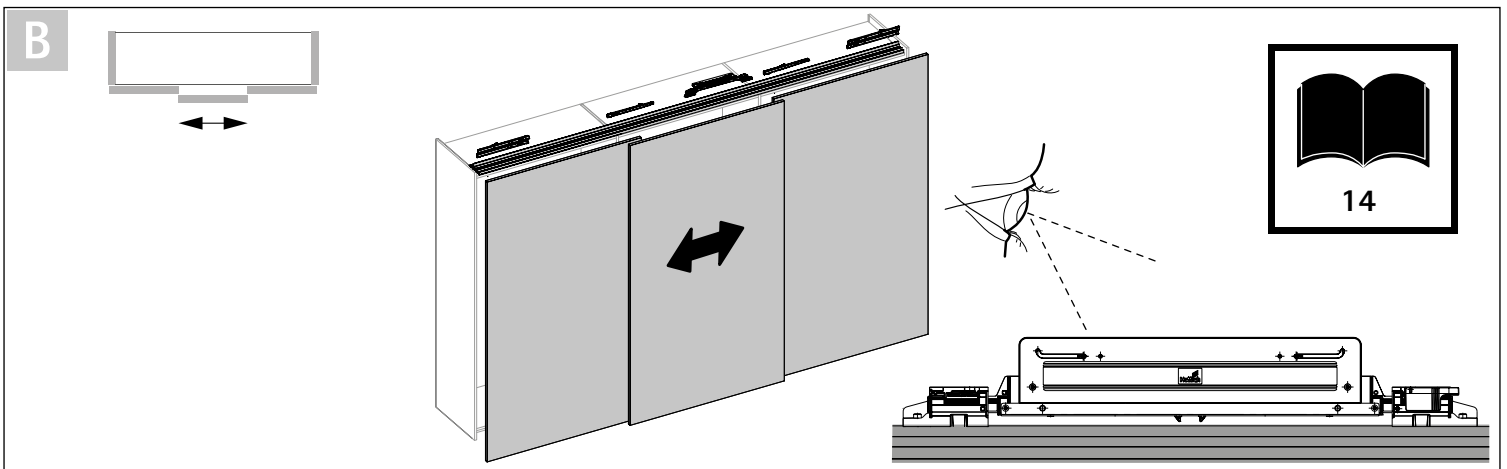
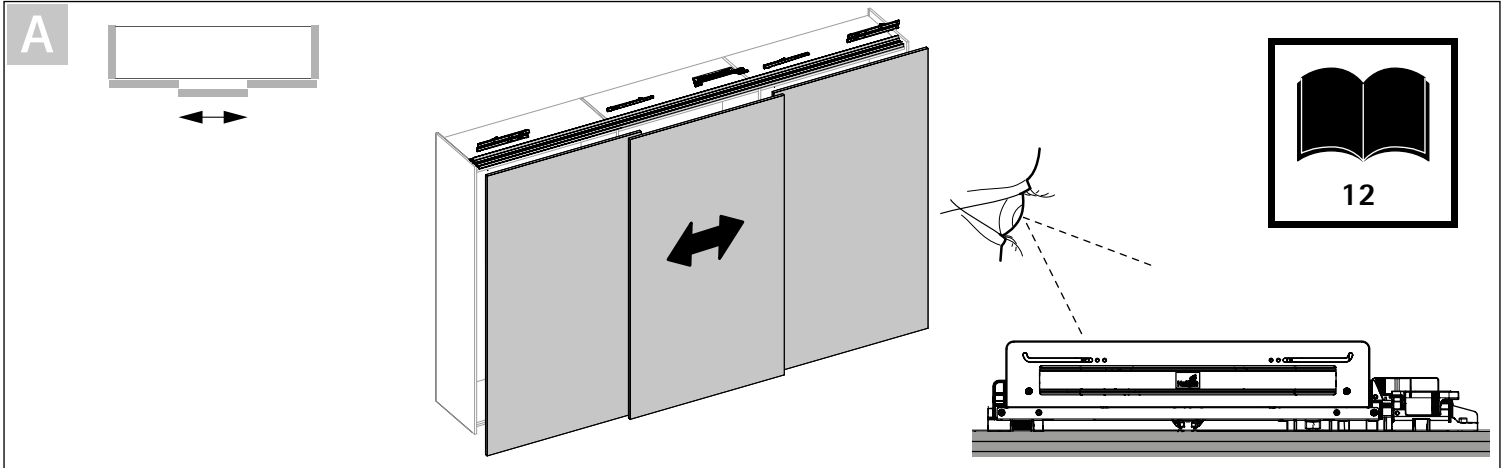


B



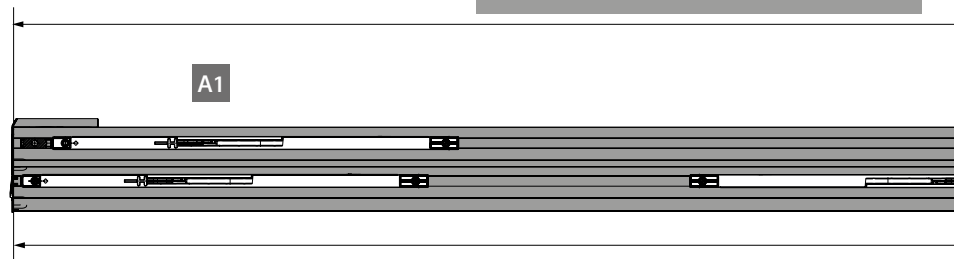
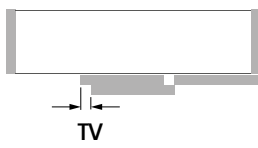
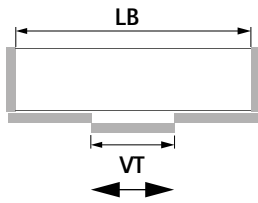
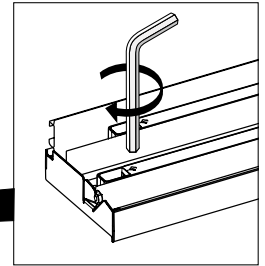
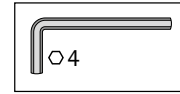
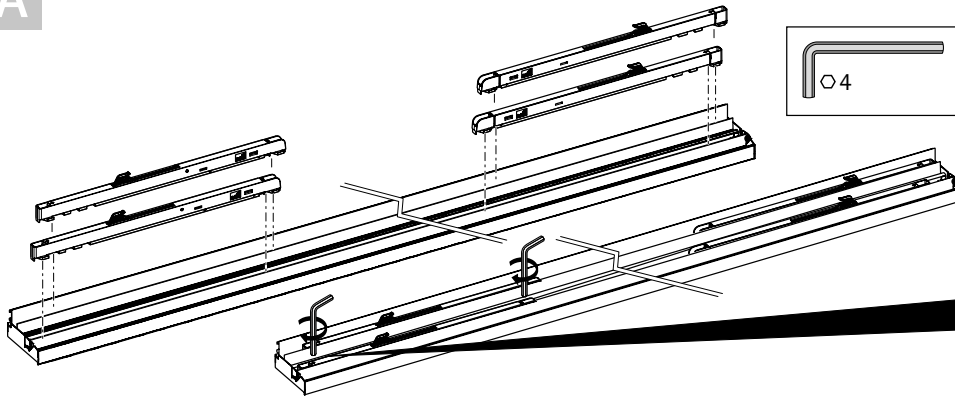








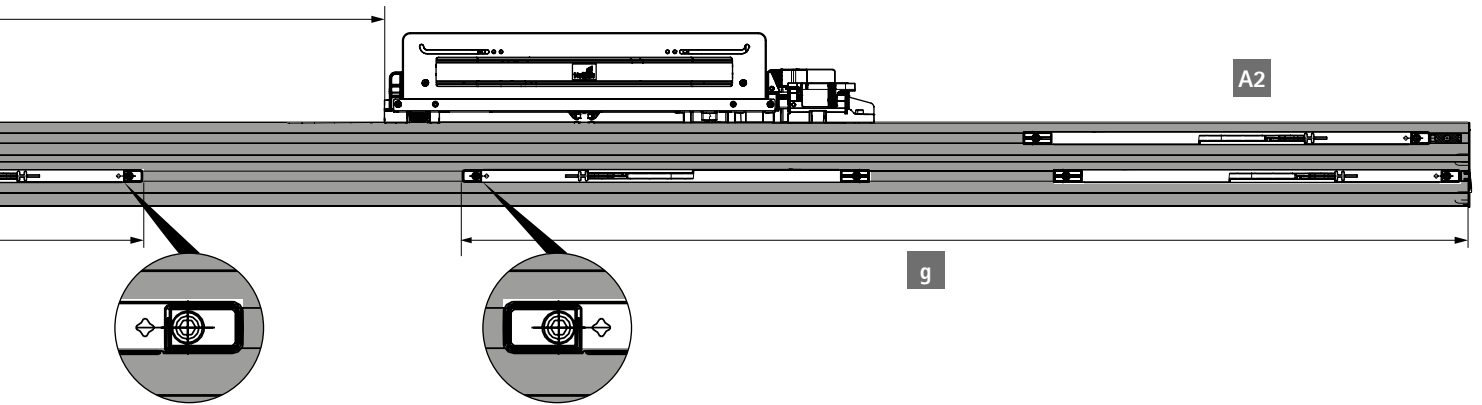
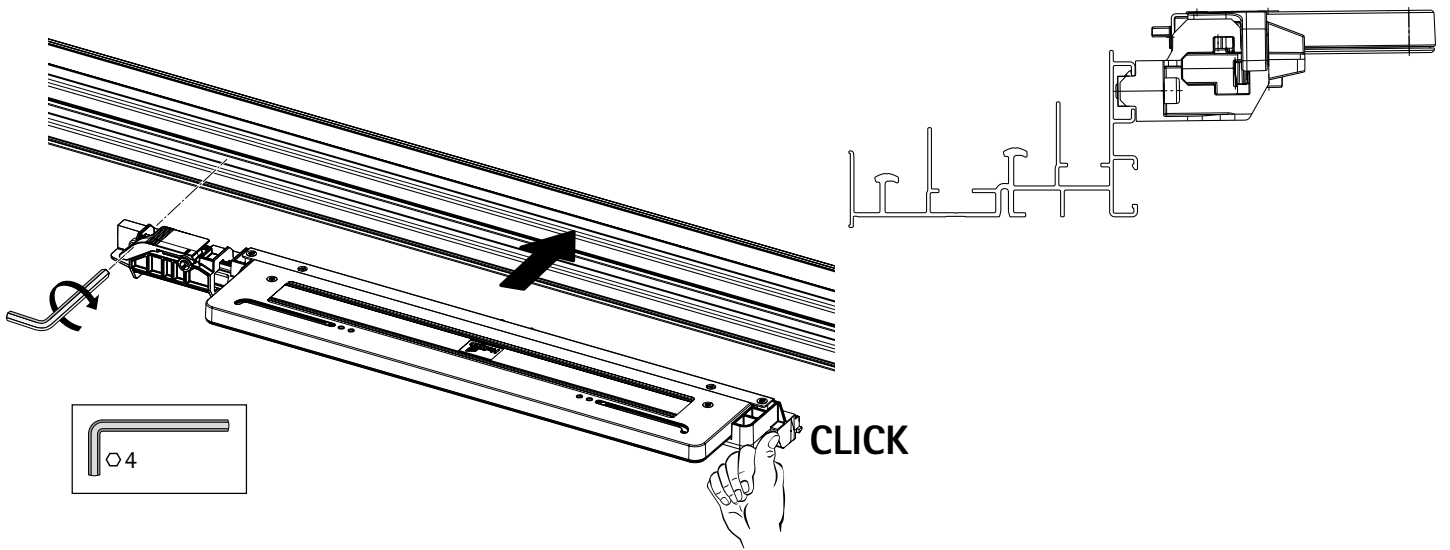
A



$$f = \frac{\left(\frac{LB}{2} + \frac{VT}{2} \right) - 417}{2}$$

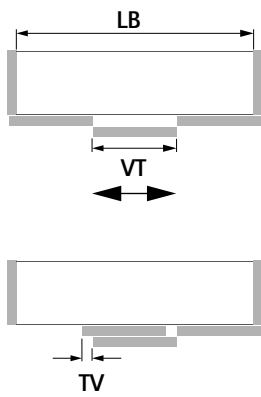
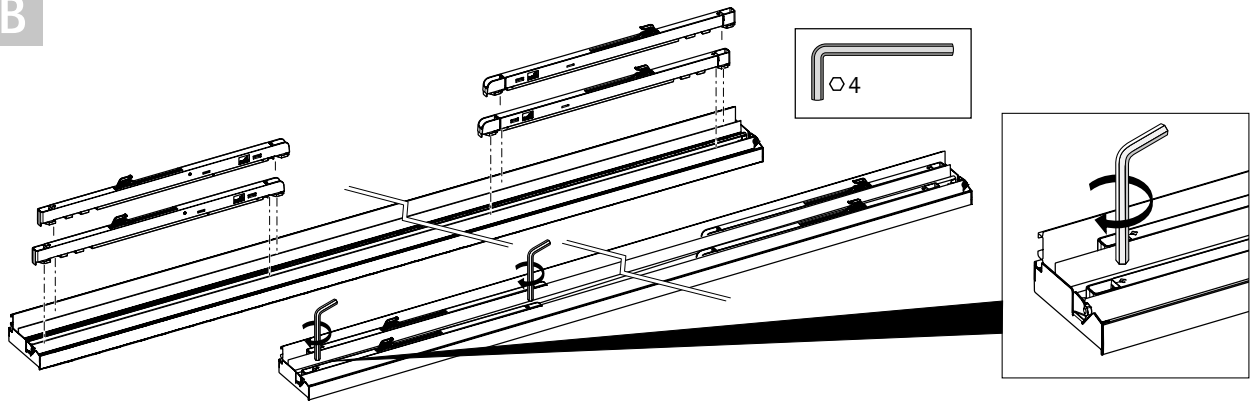
$$g = \frac{\left(\frac{LB}{2} - \frac{VT}{2} \right) - TV}{2} + 392$$

	<p>0</p>	<p>A1</p>	<p>A2</p>
<p>34</p>	<p>34</p>	<p>A1</p>	<p>A2</p>
<p>68</p>	<p>68</p>	<p>A1</p>	<p>A2</p>

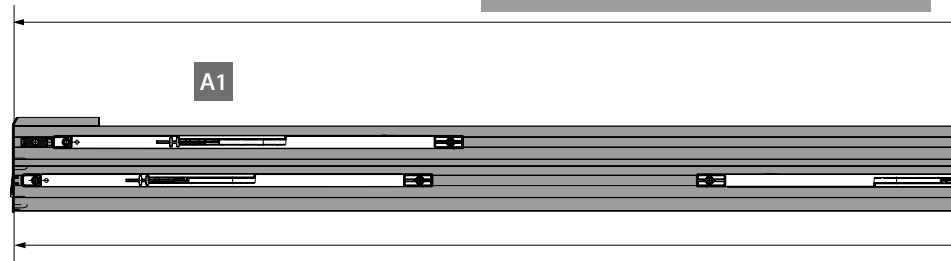




B

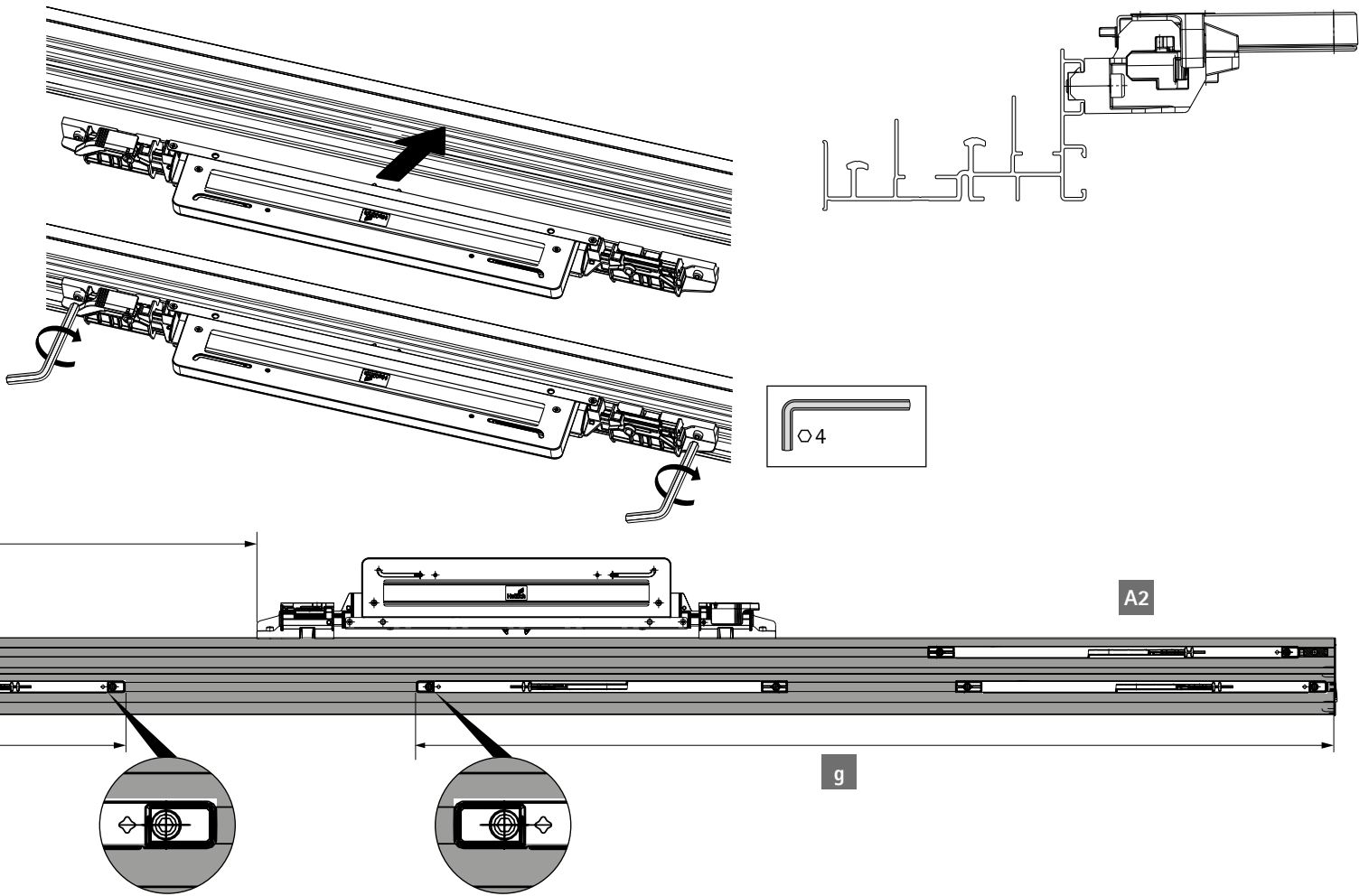


$$f = \frac{\left(\frac{\text{LB}}{2} + \frac{\text{VT}}{2} \right) - 516}{2}$$



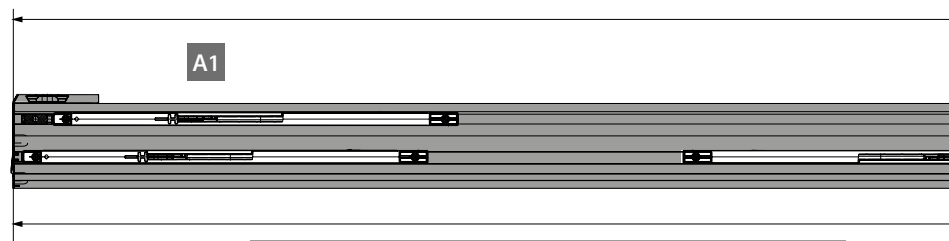
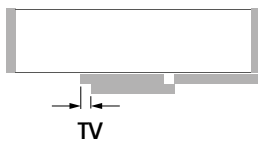
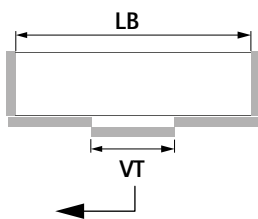
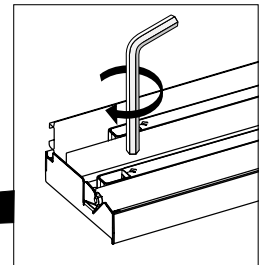
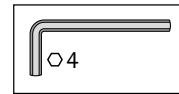
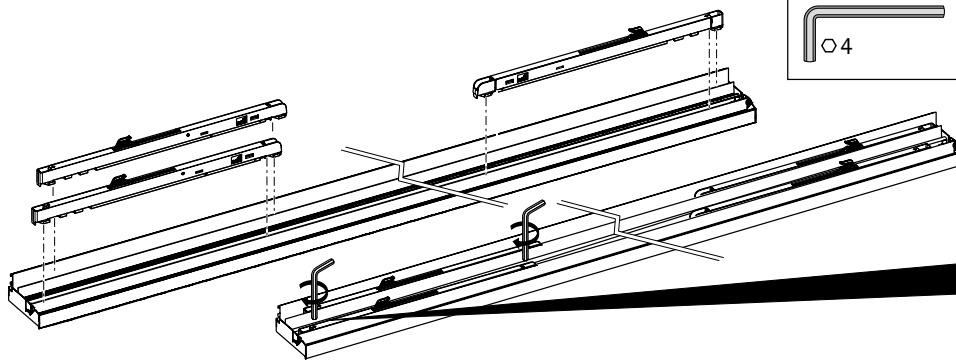
$$g = \frac{\left(\frac{\text{LB}}{2} - \frac{\text{VT}}{2} \right) - \text{TV} + 392}{2}$$

	<p>±0</p>	<p>A1</p> <p>A2</p>
<p>34</p>	<p>A1</p> <p>A2</p>	
<p>68</p>	<p>A1</p> <p>A2</p>	



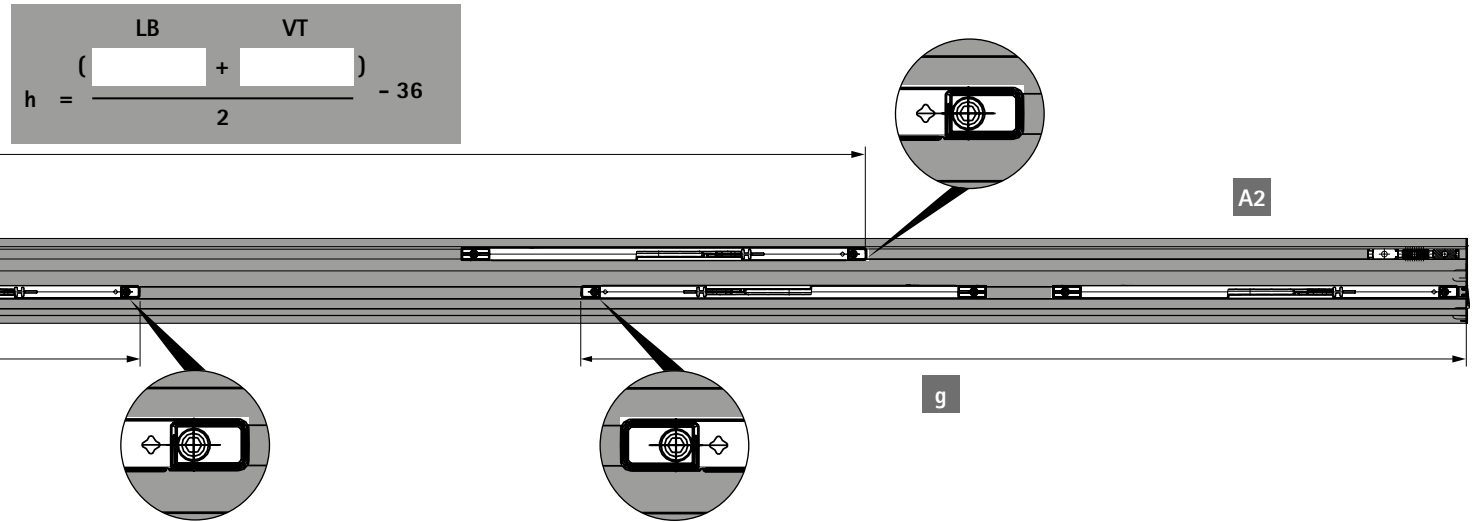


C



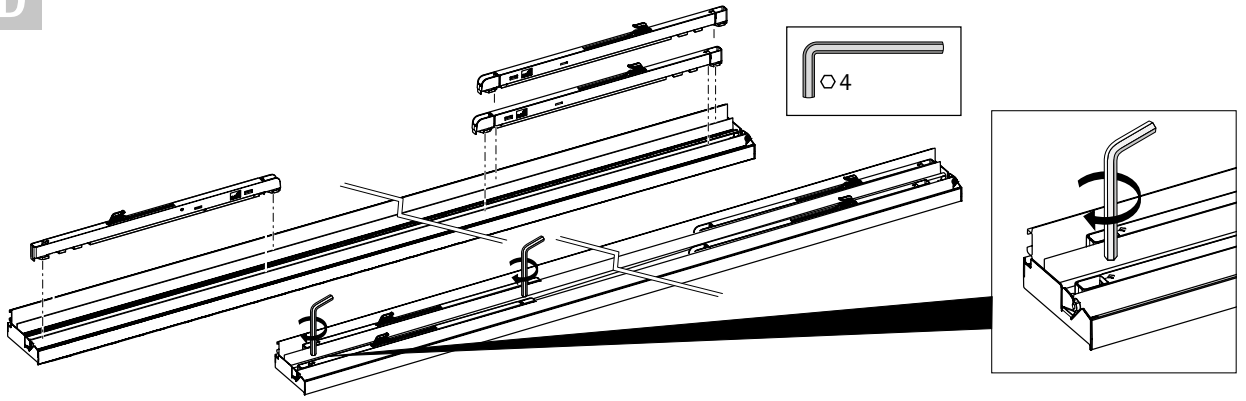
$$g = \frac{LB - VT}{2} - TV + 392$$

	<p>0</p>	<p>A1</p> <p>A2</p>
<p>34</p>	<p>A1</p> <p>A2</p>	
<p>68</p>	<p>A1</p> <p>A2</p>	

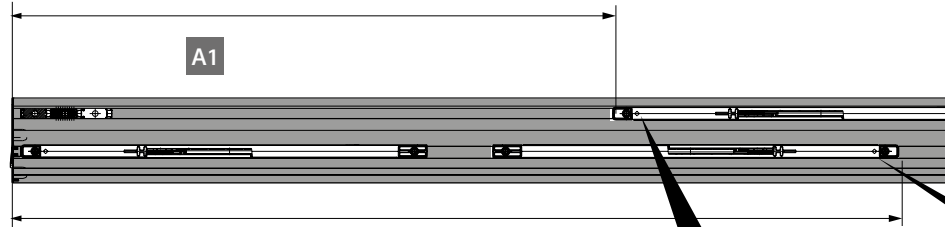
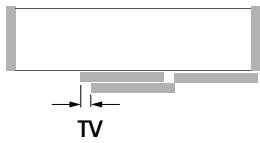
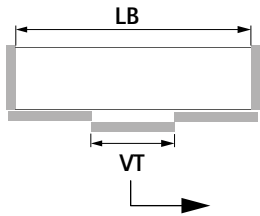




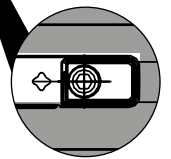
D



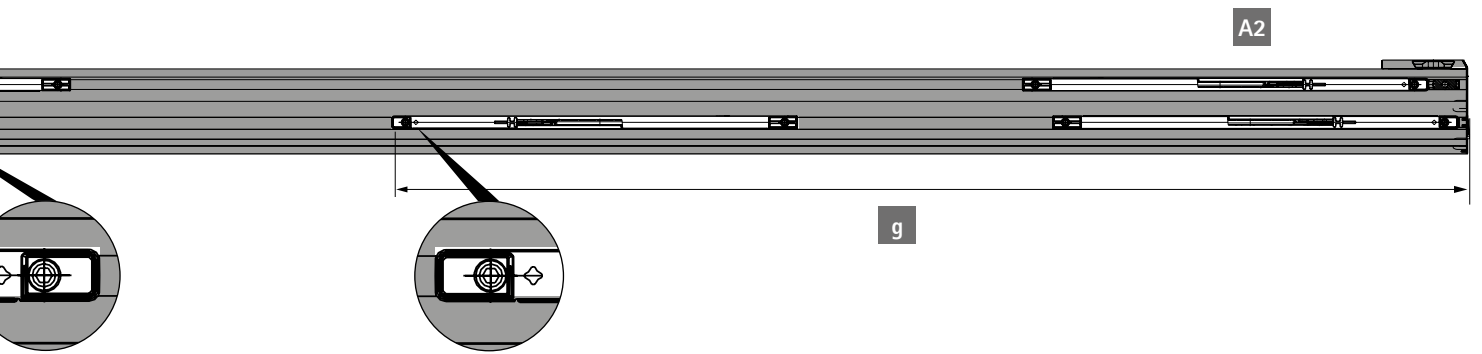
$$h = \frac{(\text{LB} - \text{VT})}{2} + 36$$

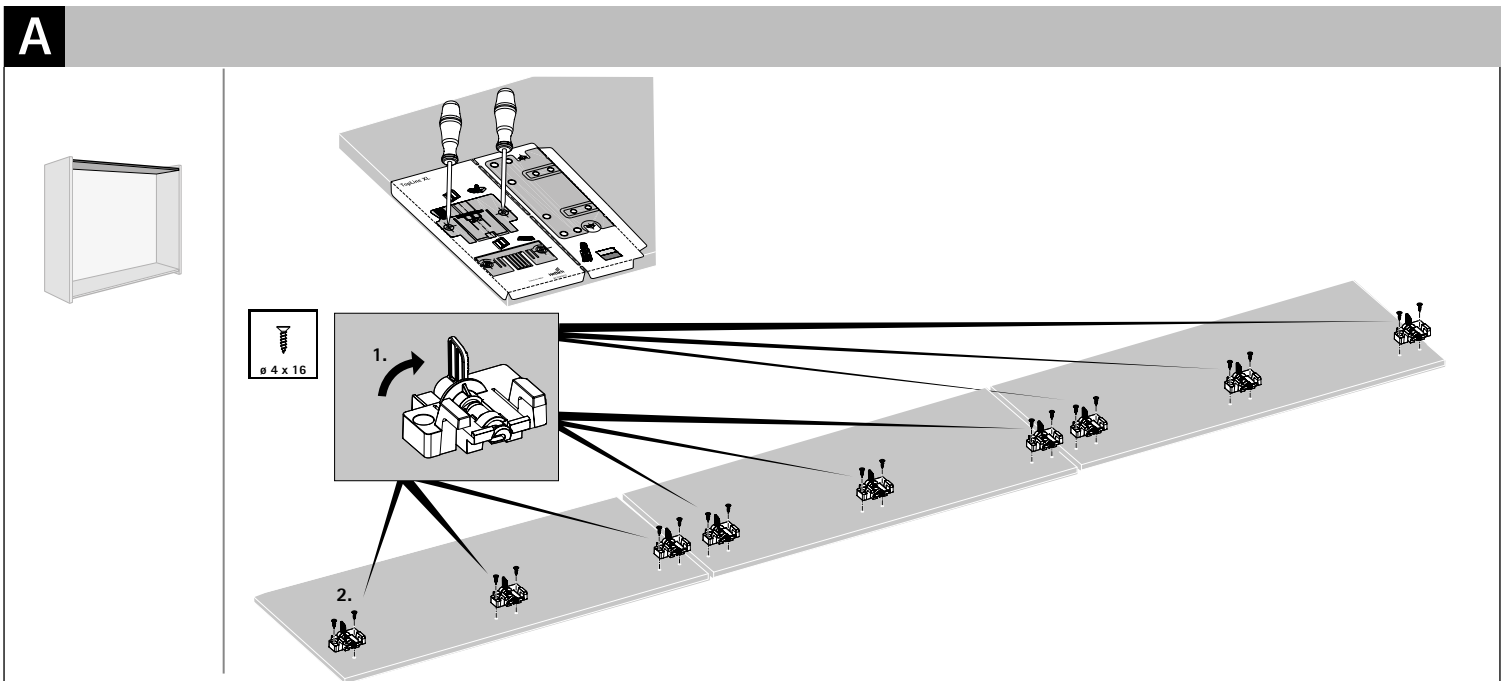
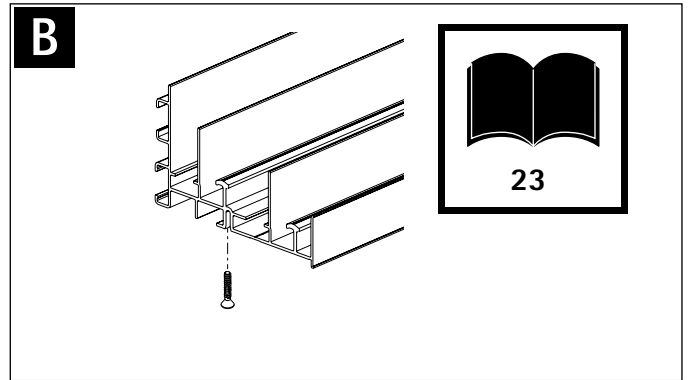
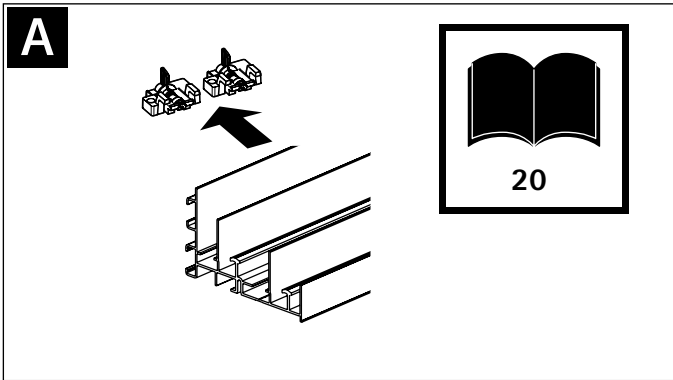
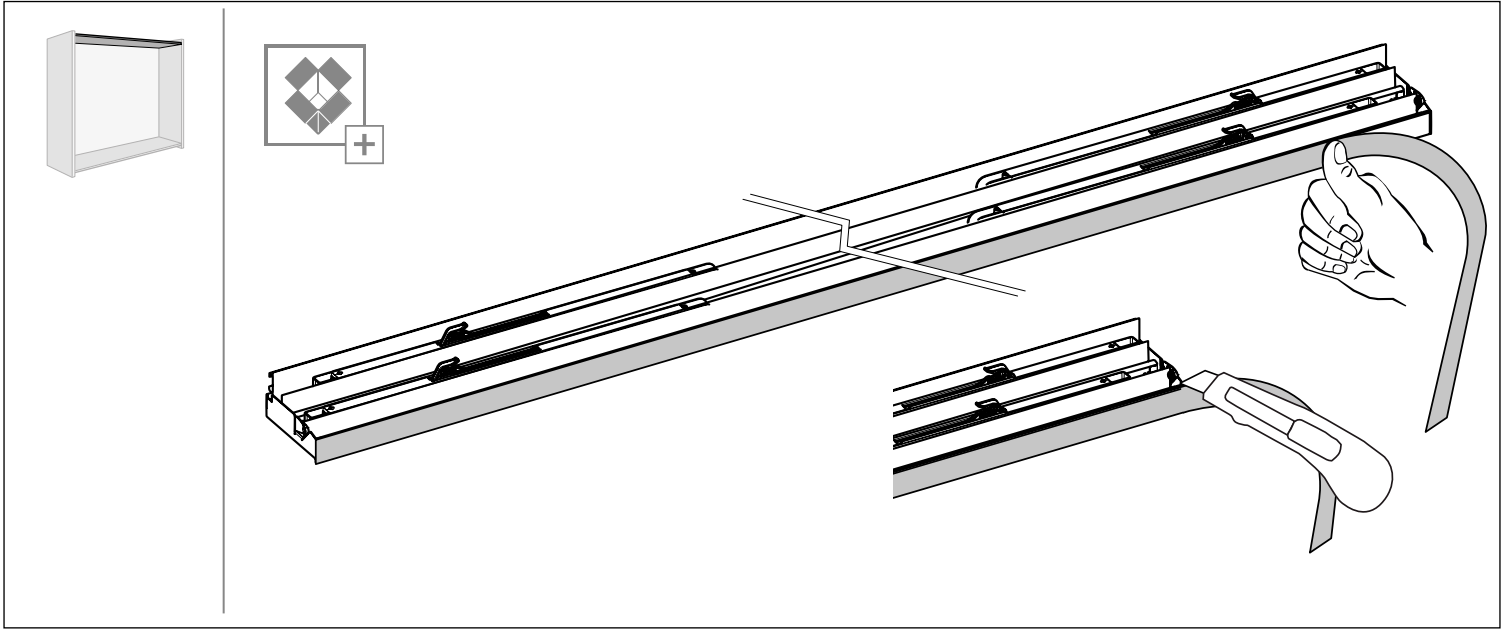


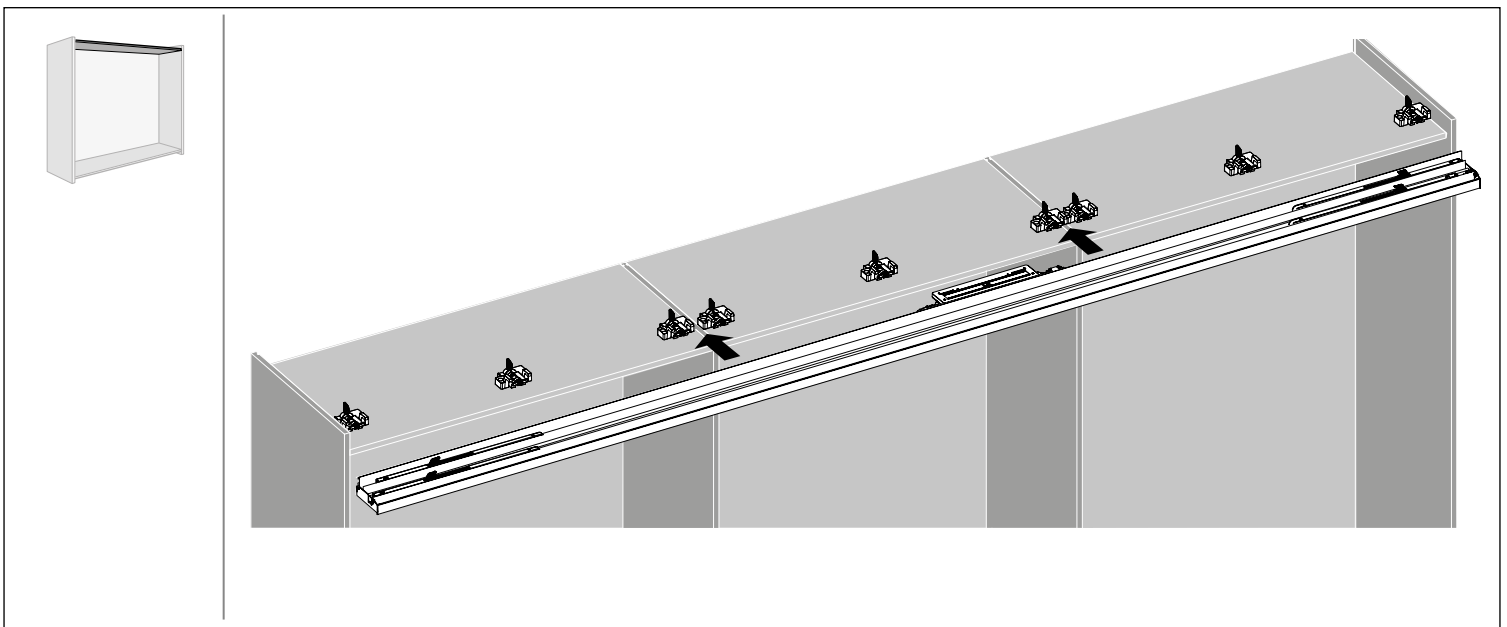
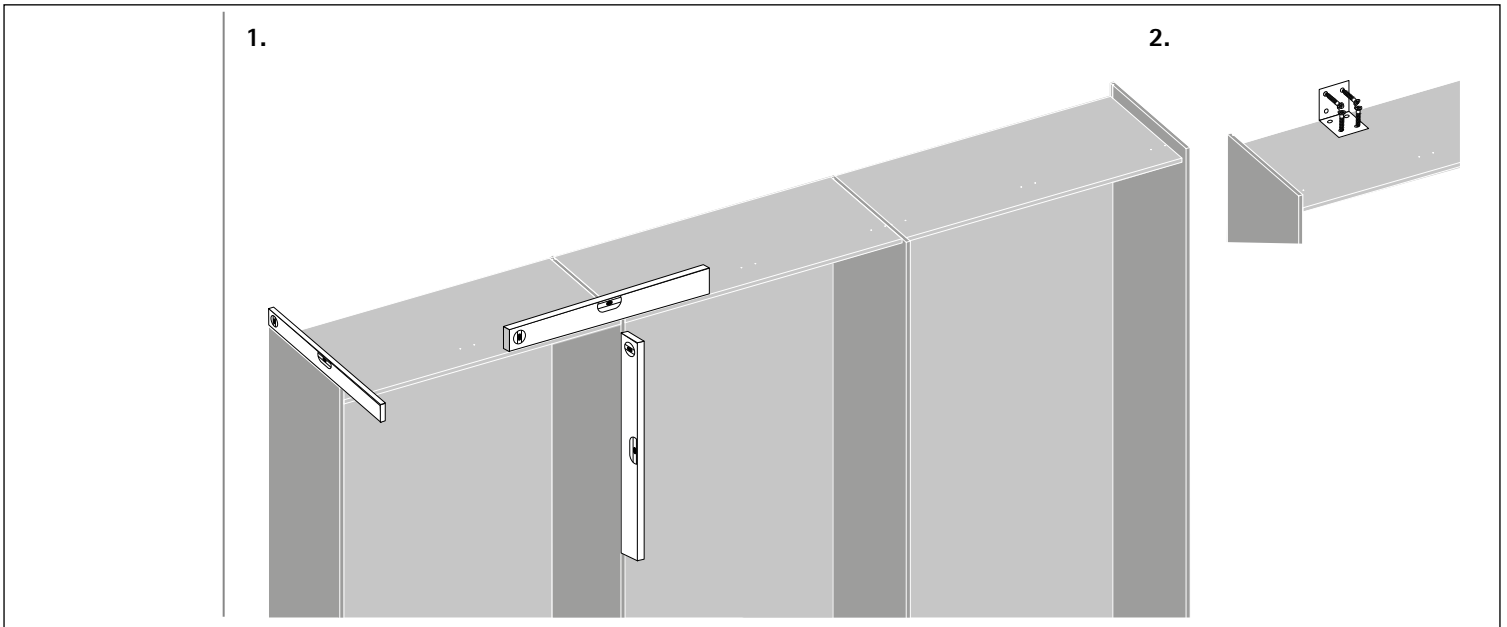
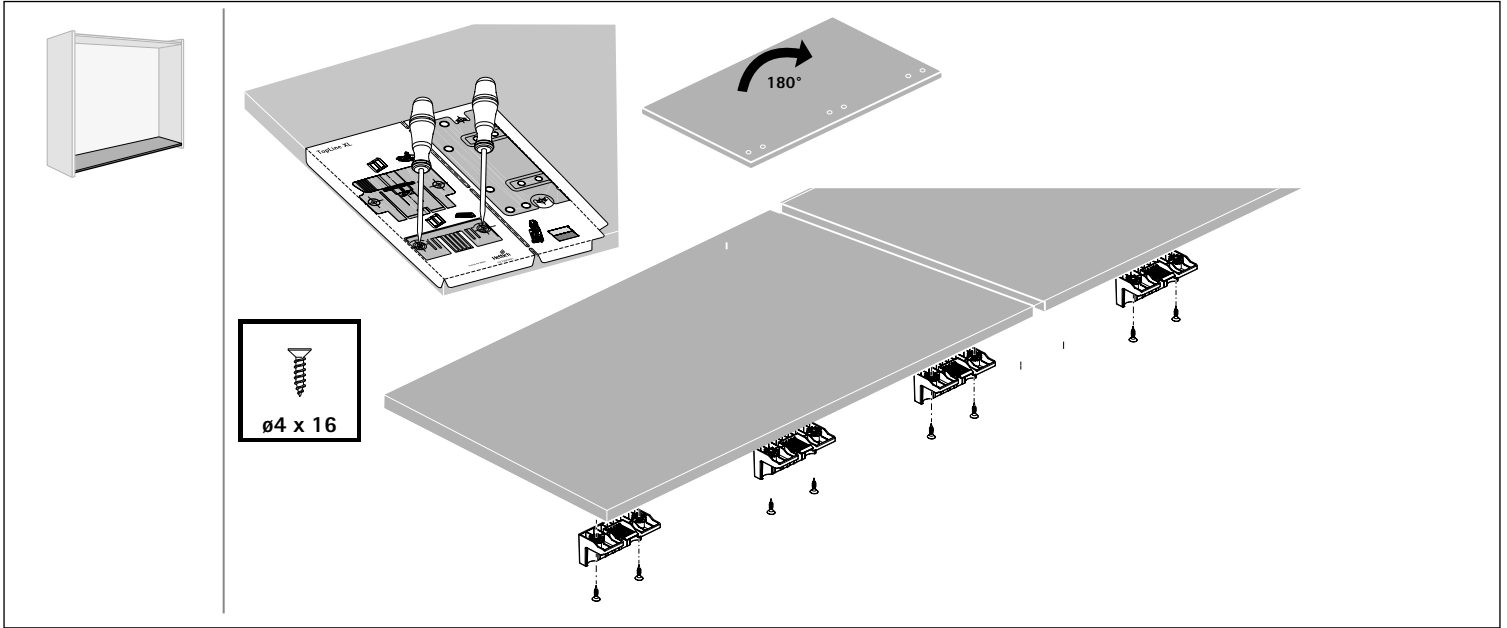
$$g = \frac{(\text{LB} - \text{VT})}{2} - \text{TV} + 392$$

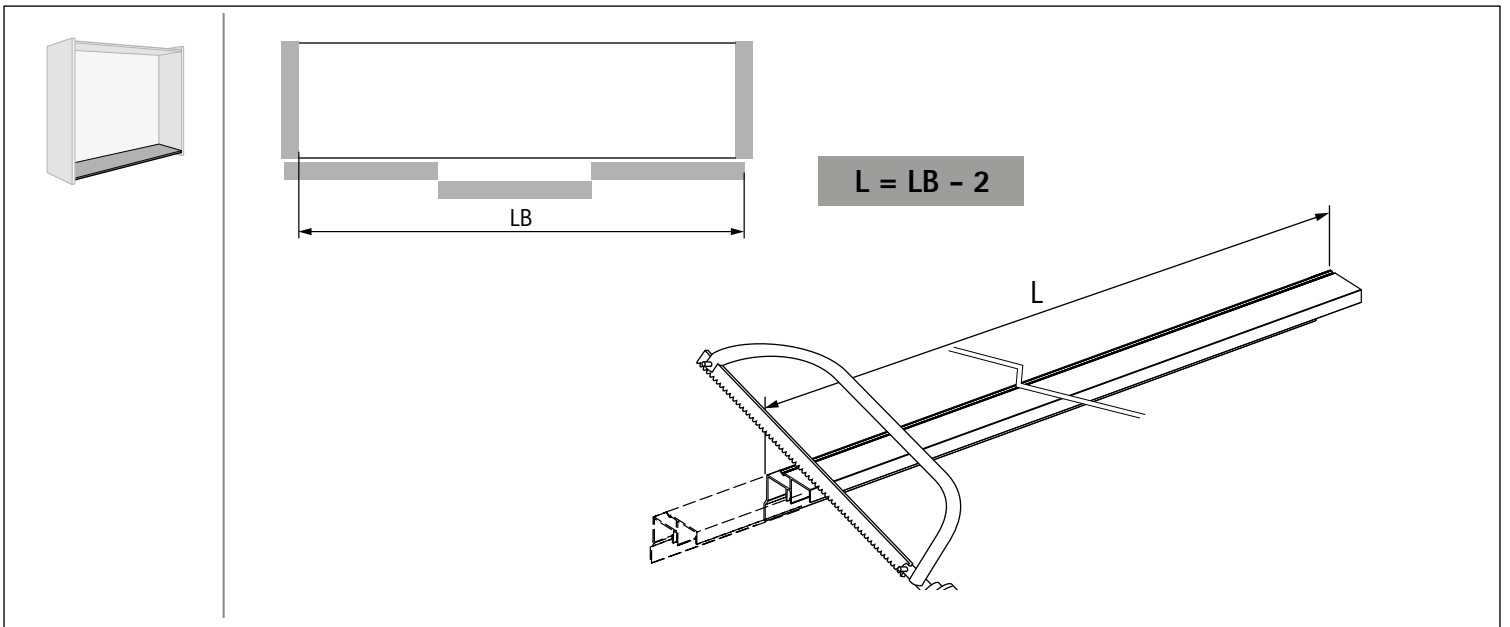
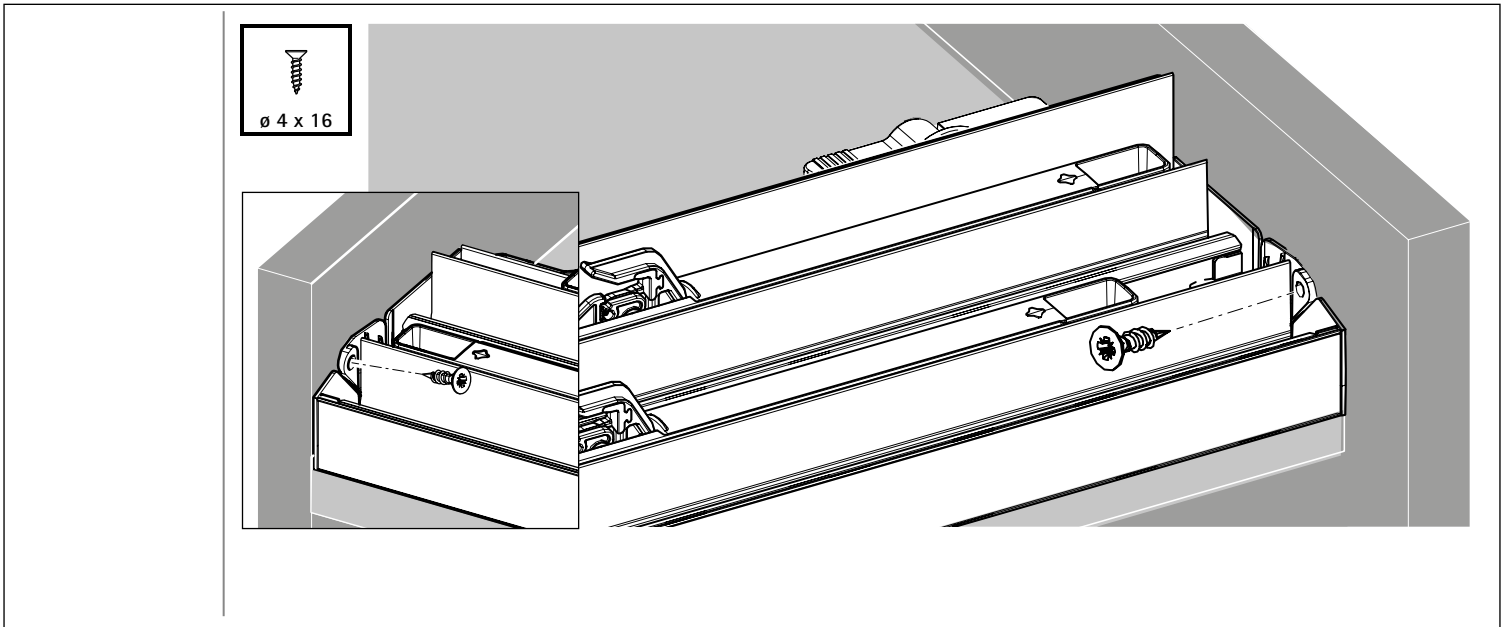
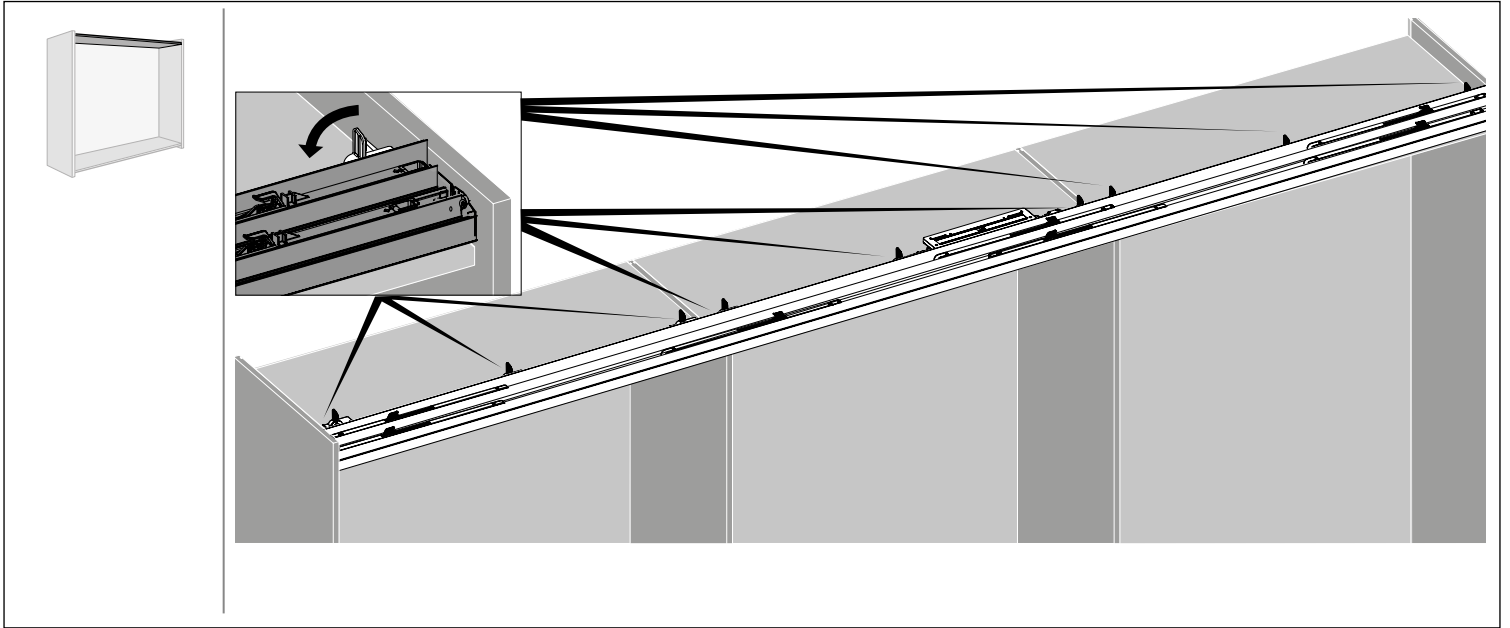


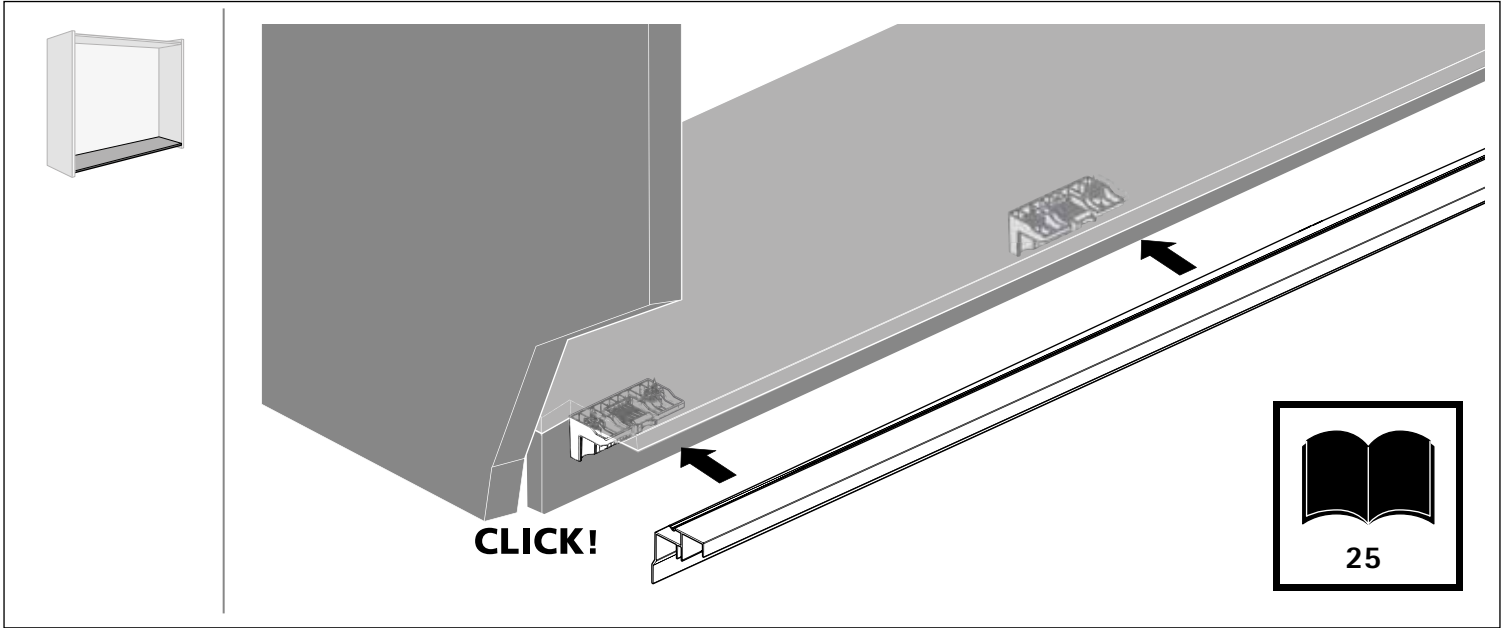
		A1 	A2
		A1 	A2
		A1 	A2



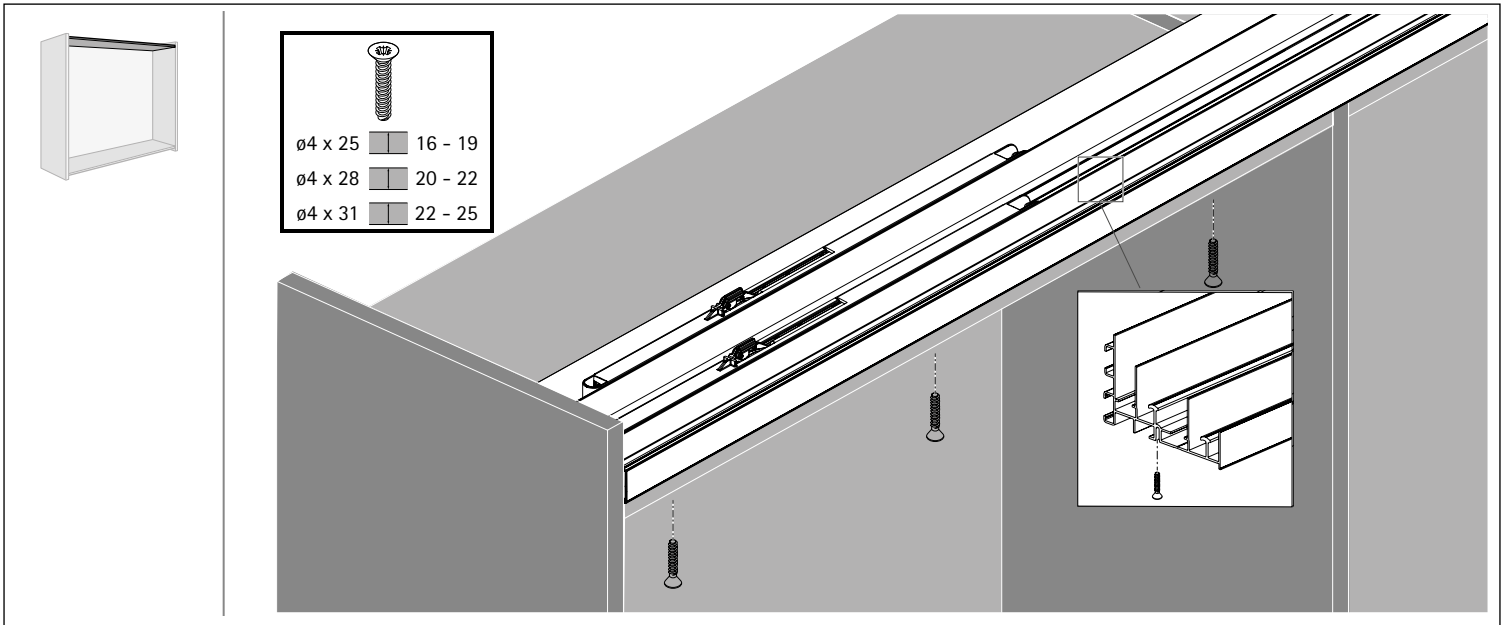
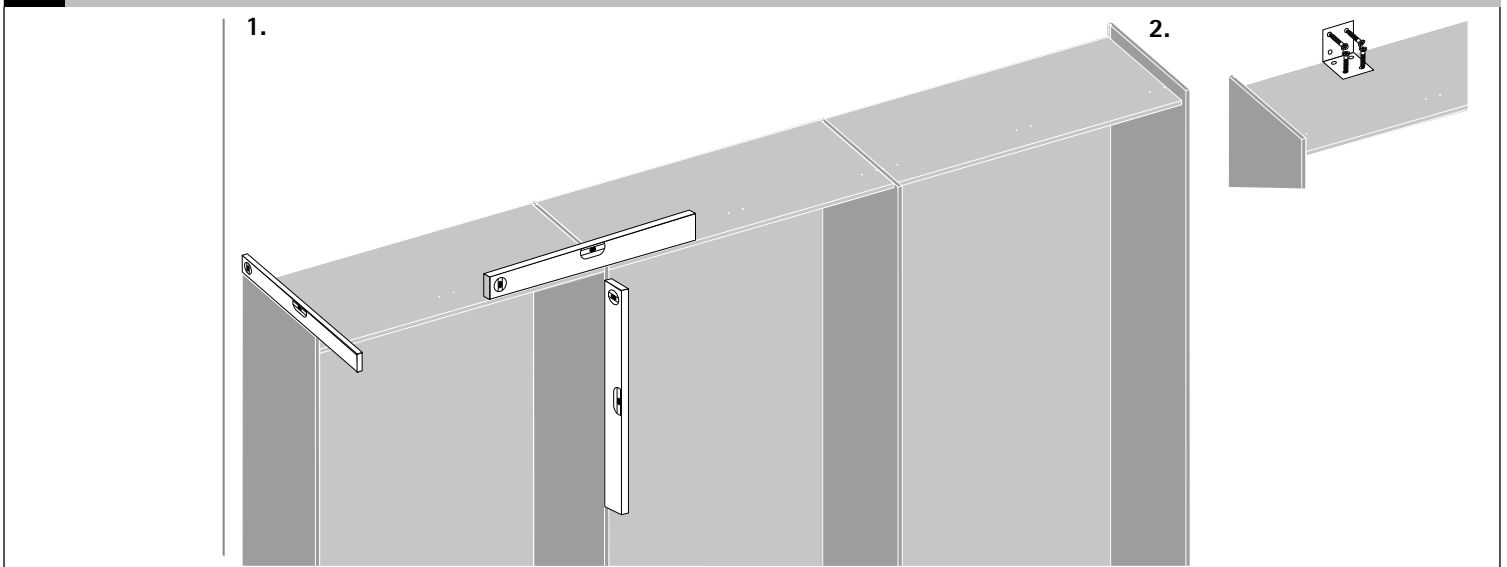


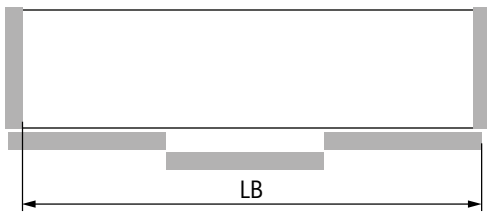
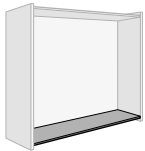
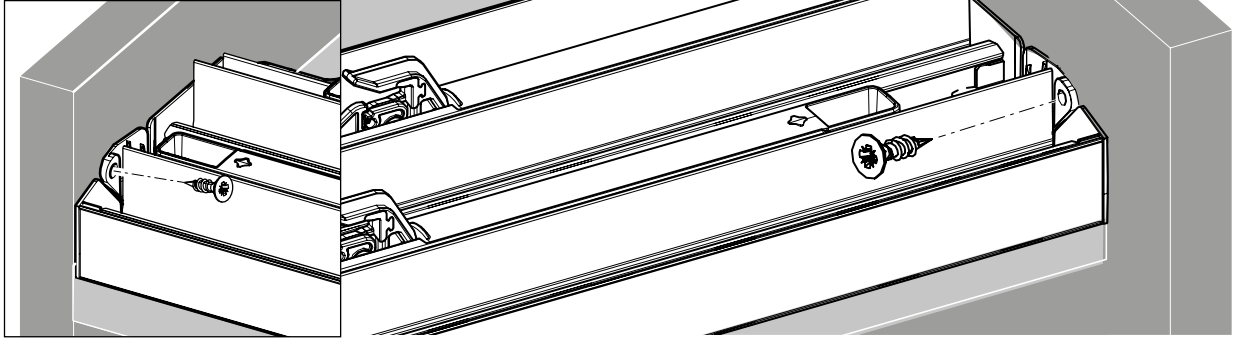




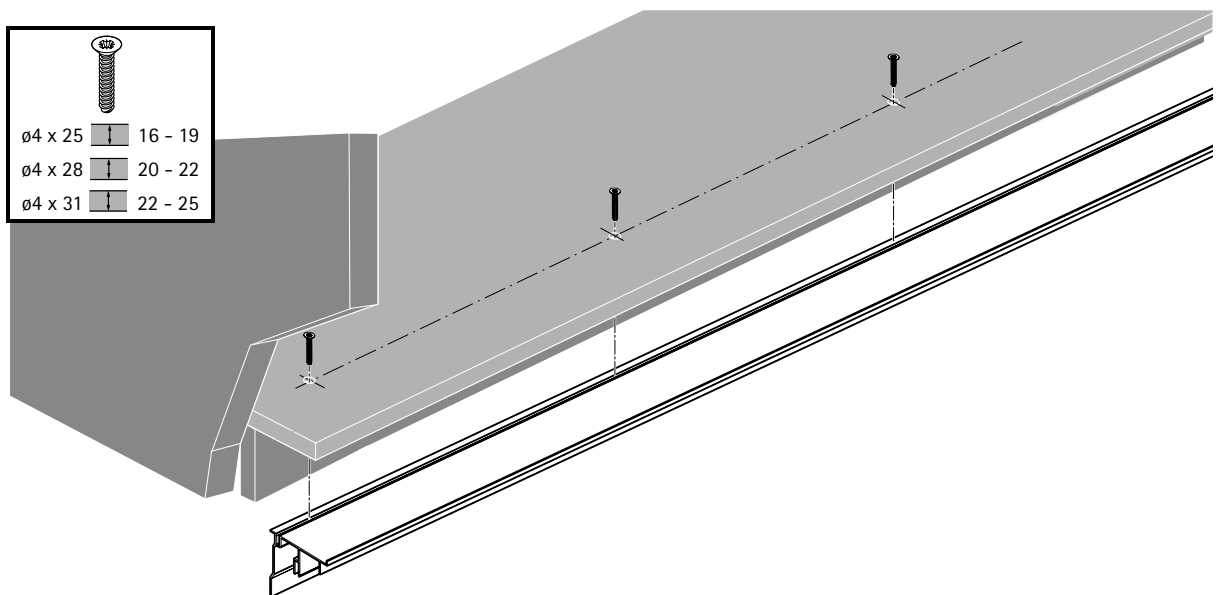
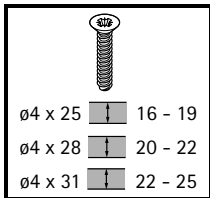
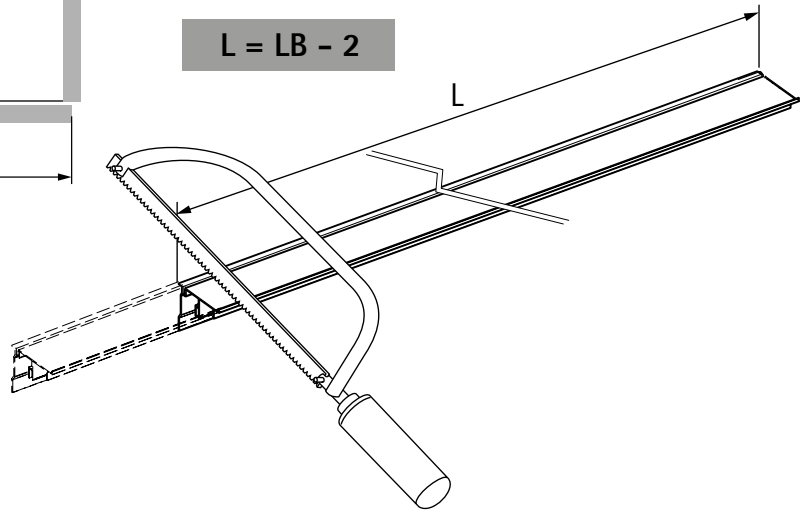


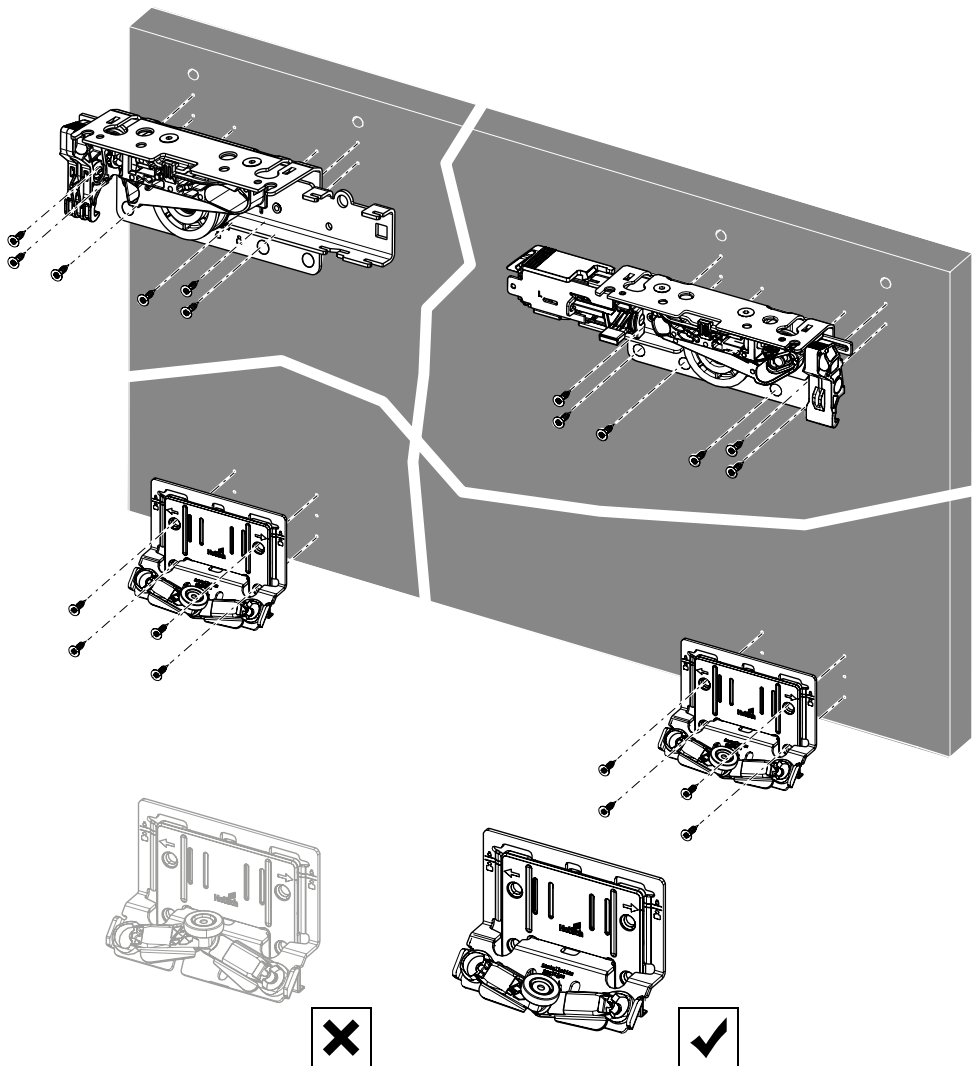
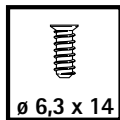
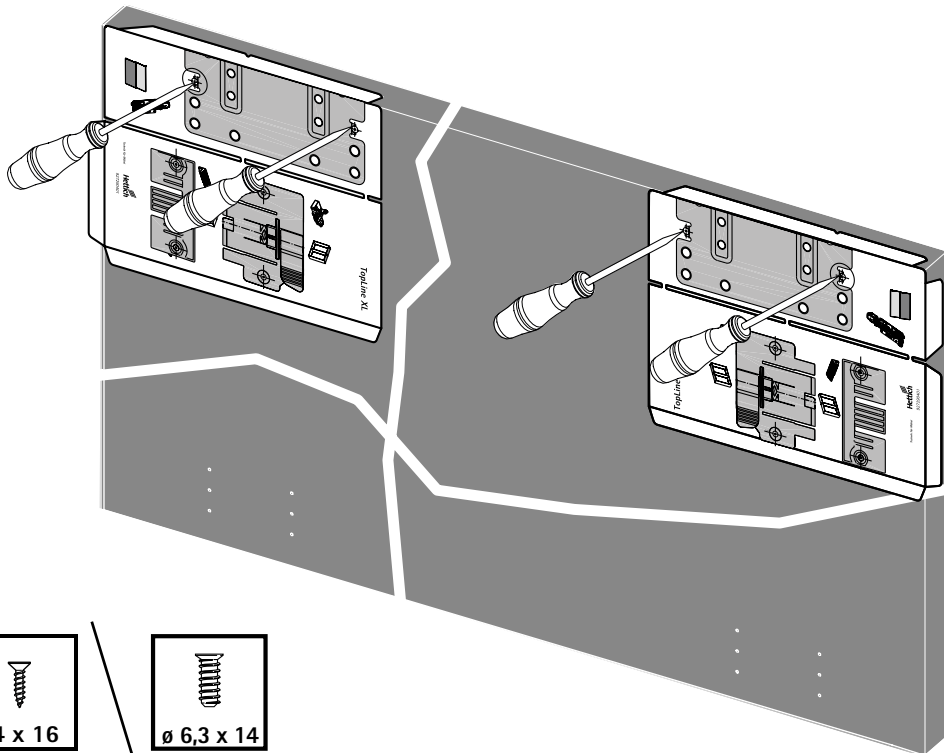
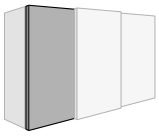
B

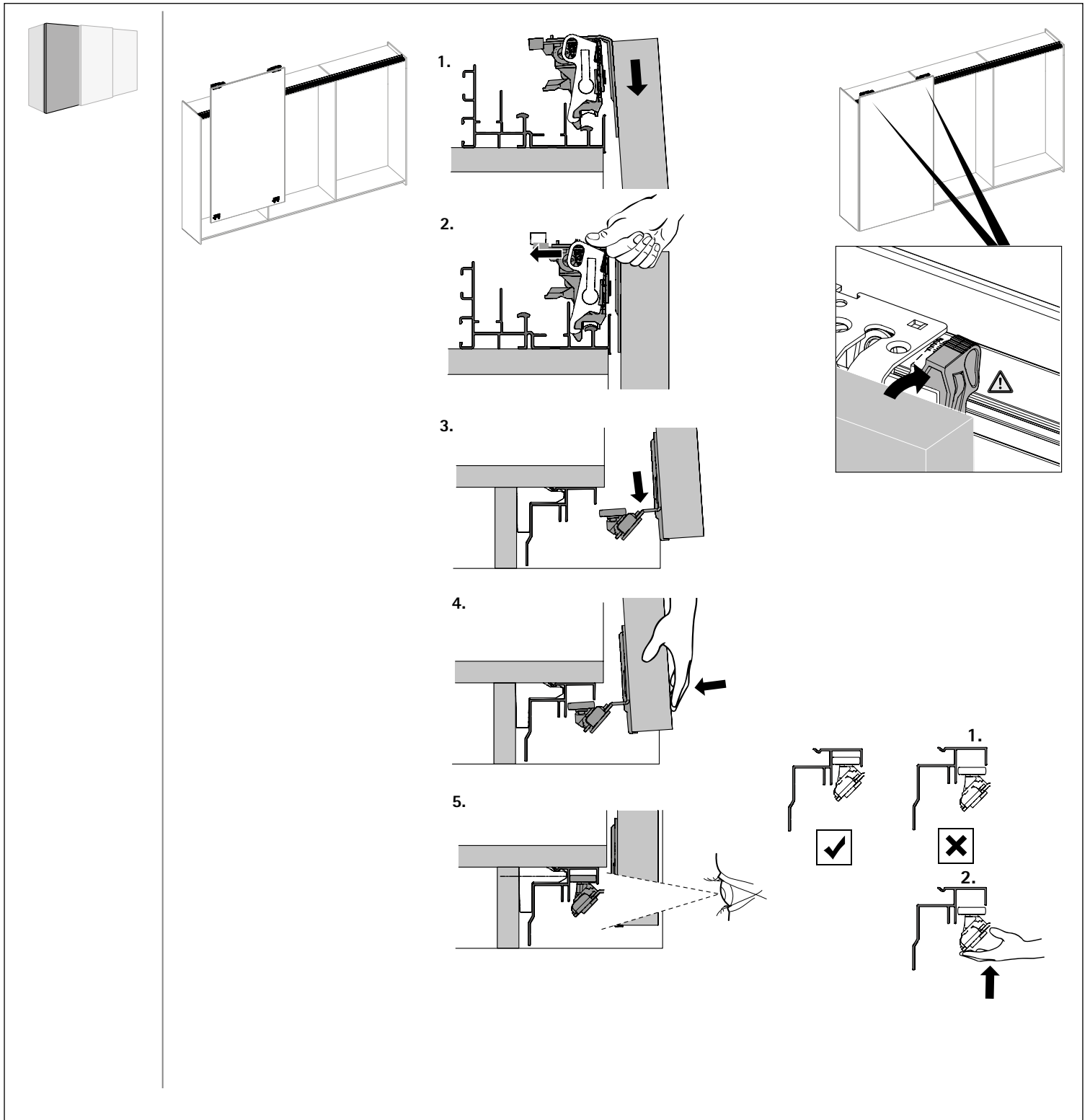
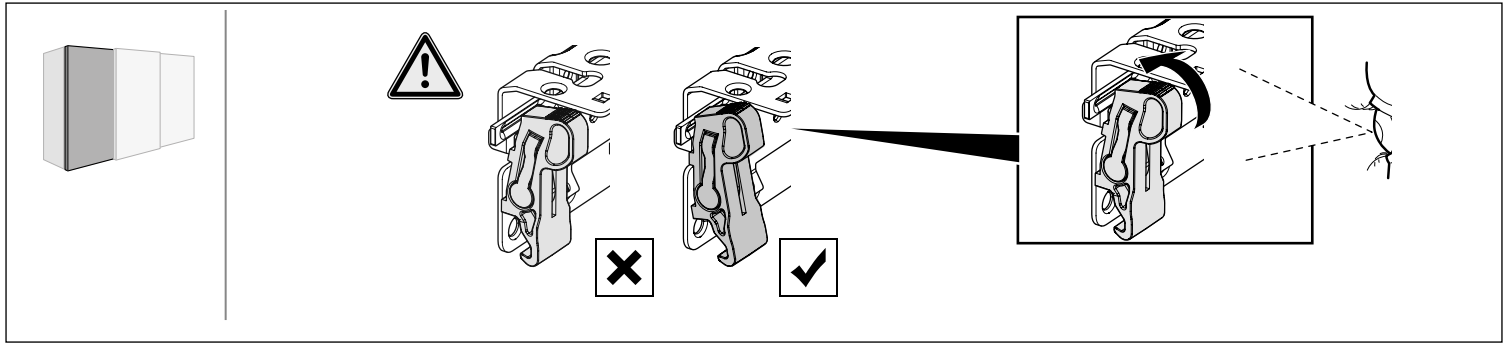


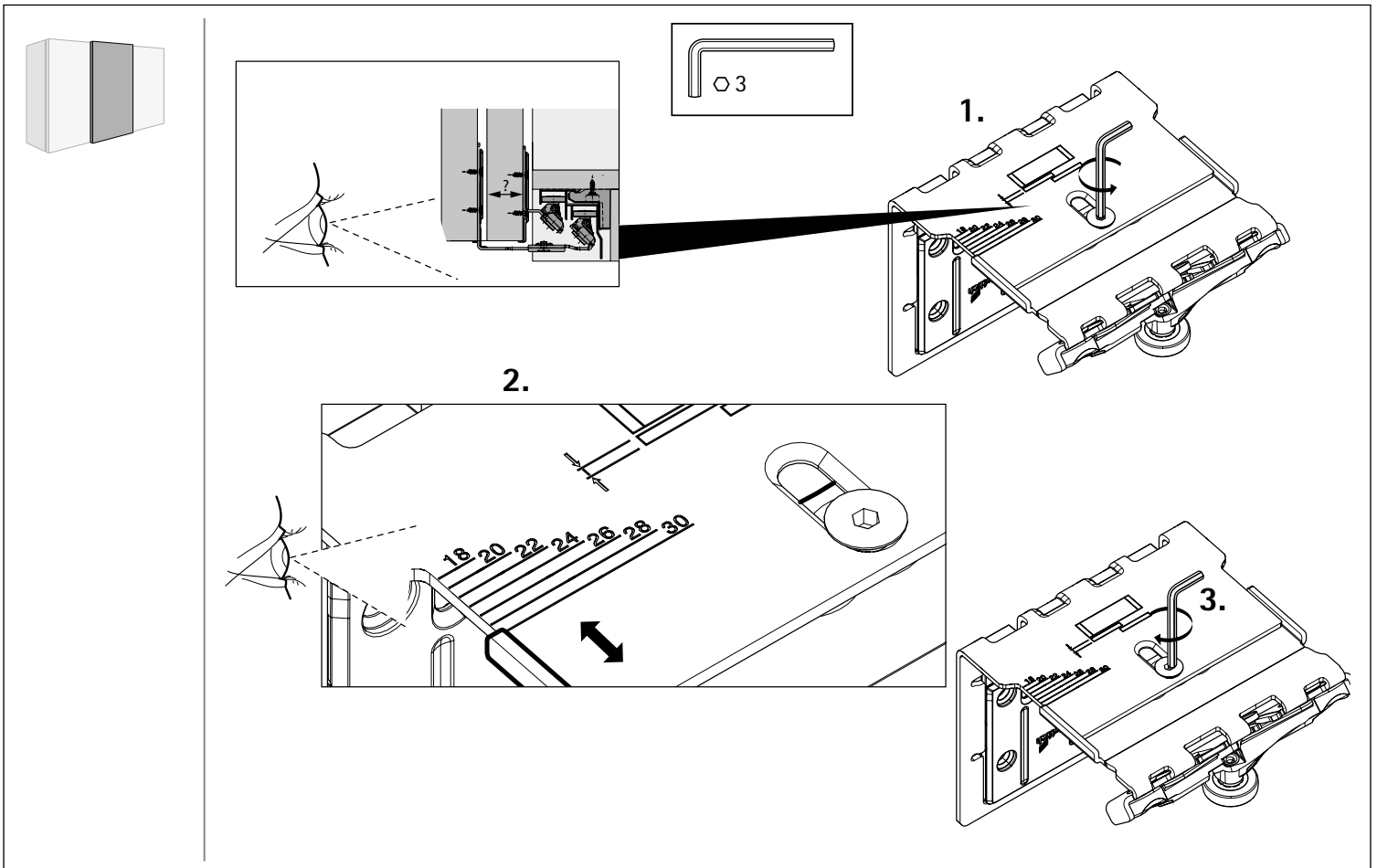
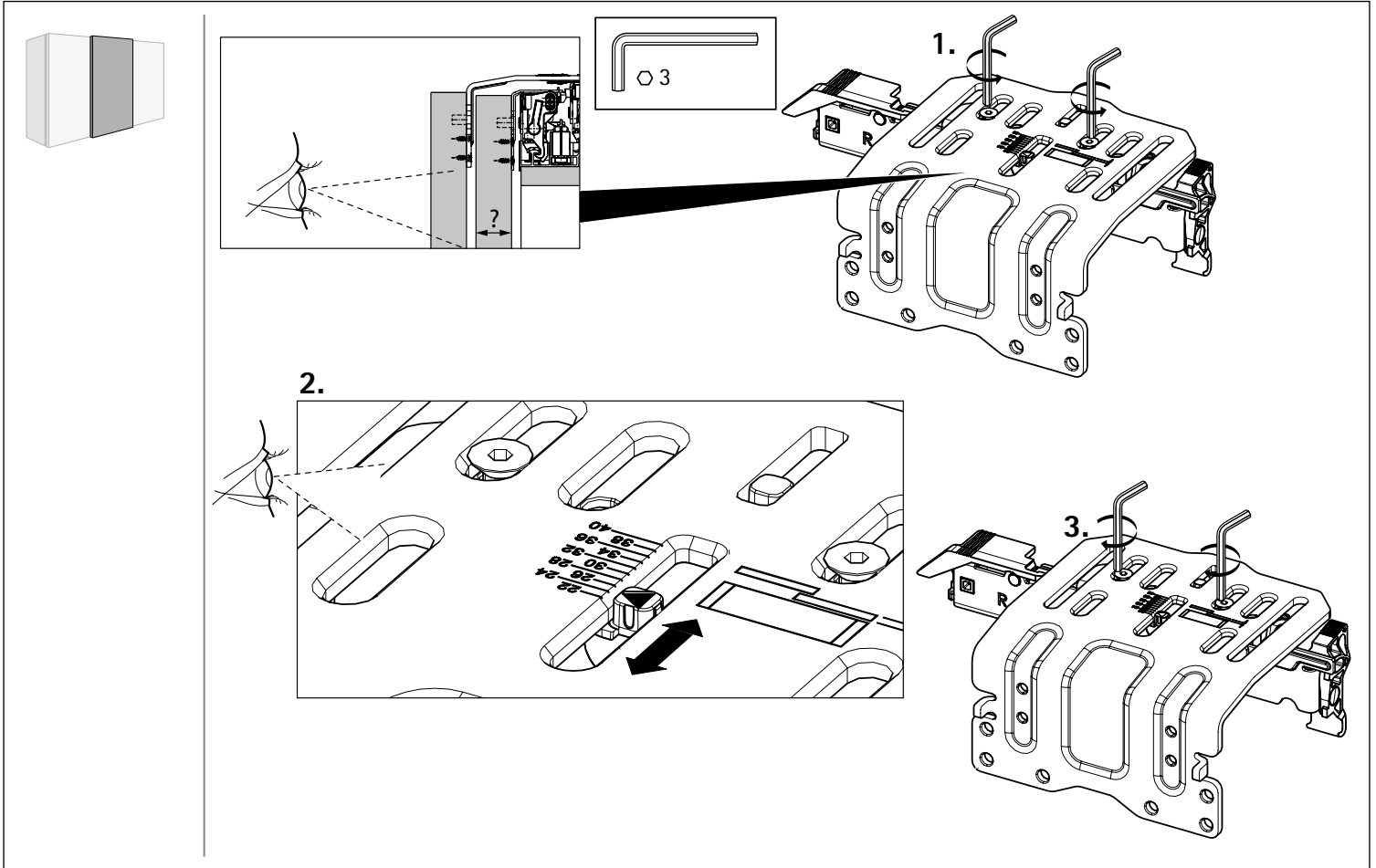


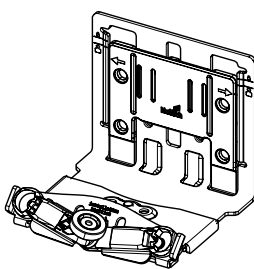
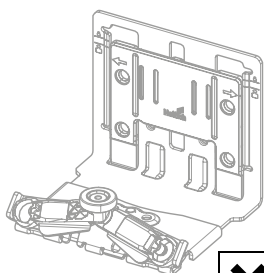
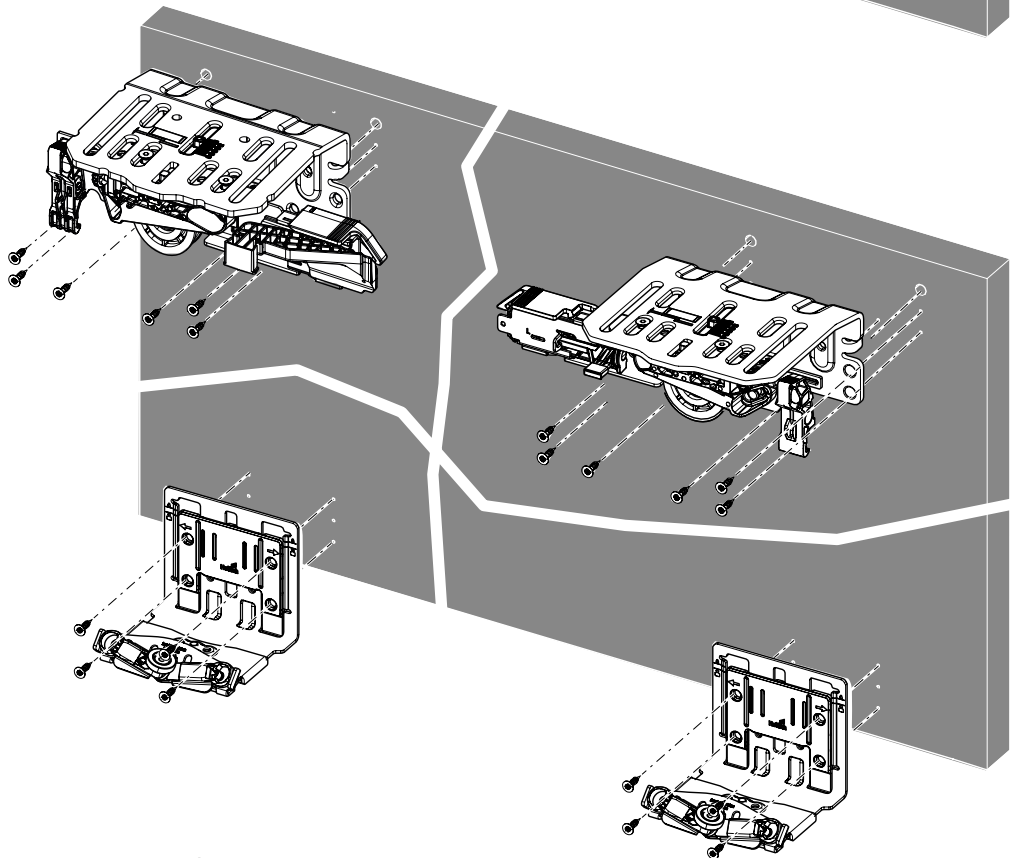
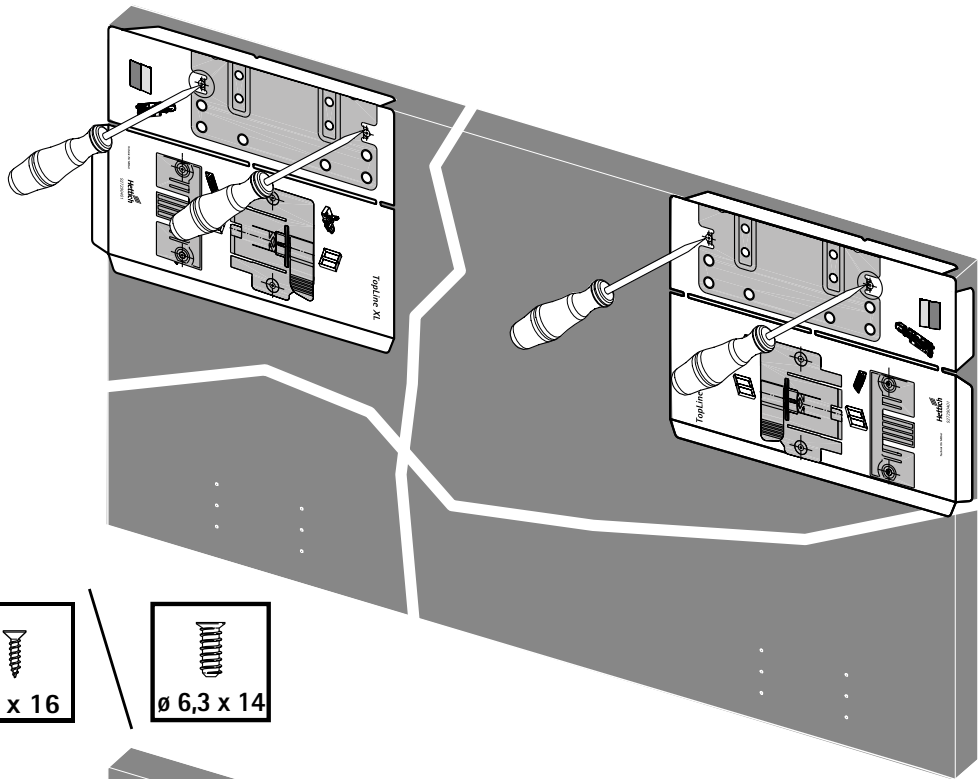
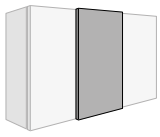
$$L = LB - 2$$

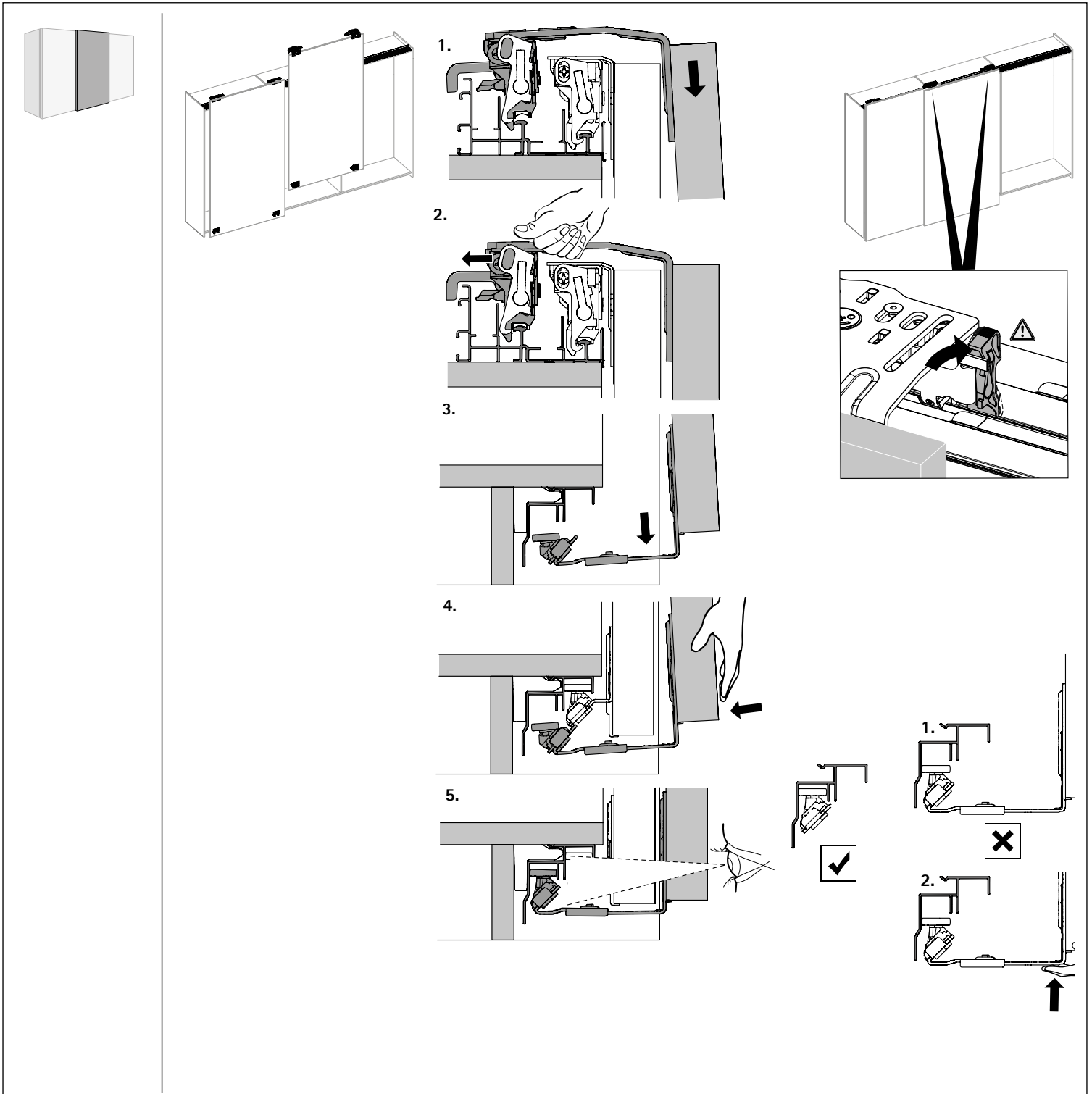
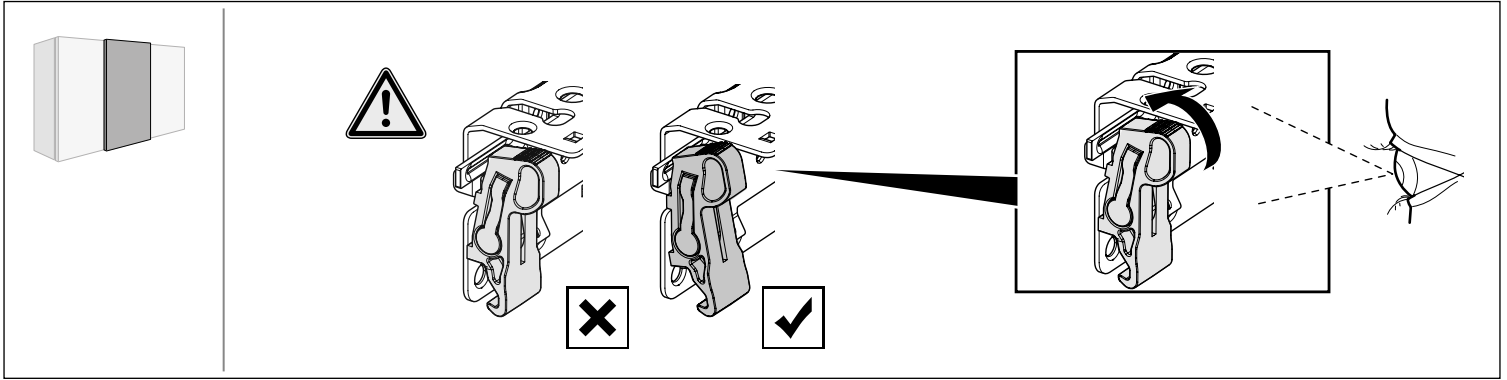


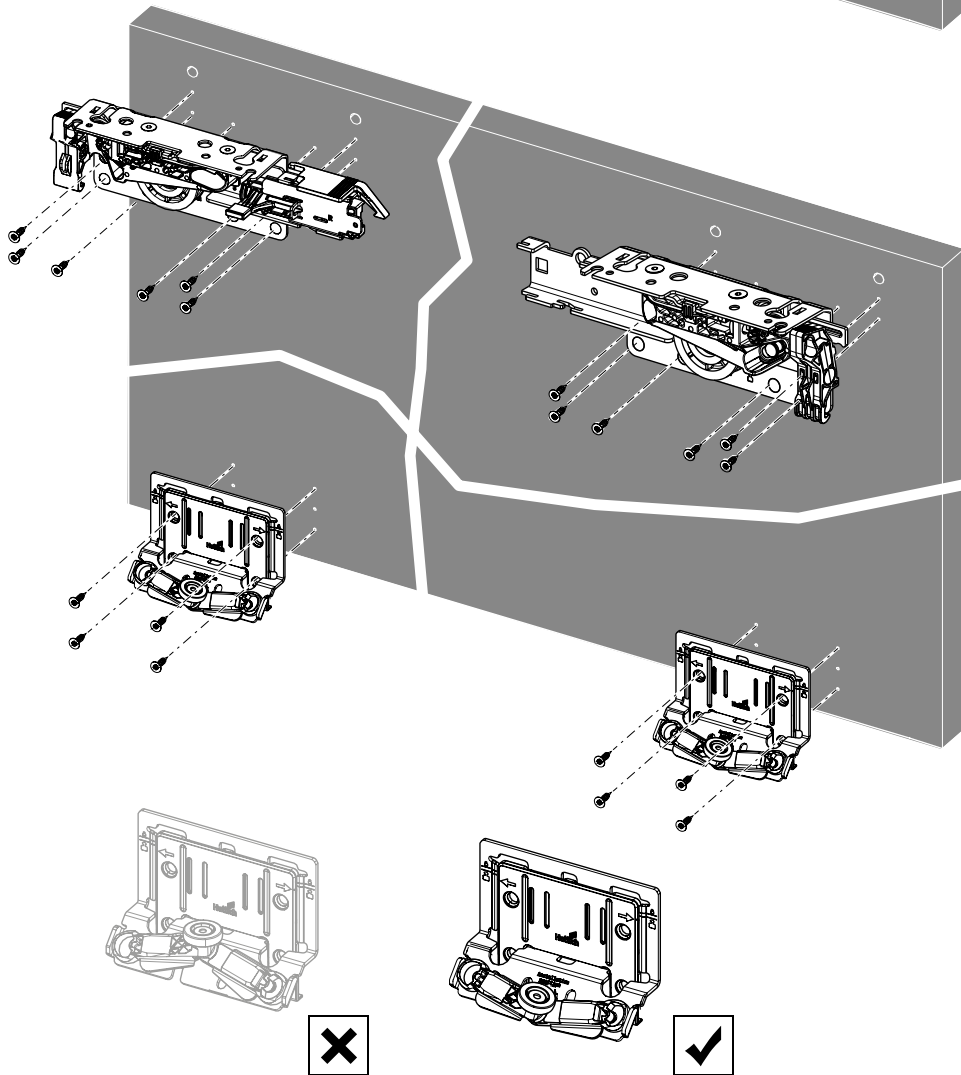
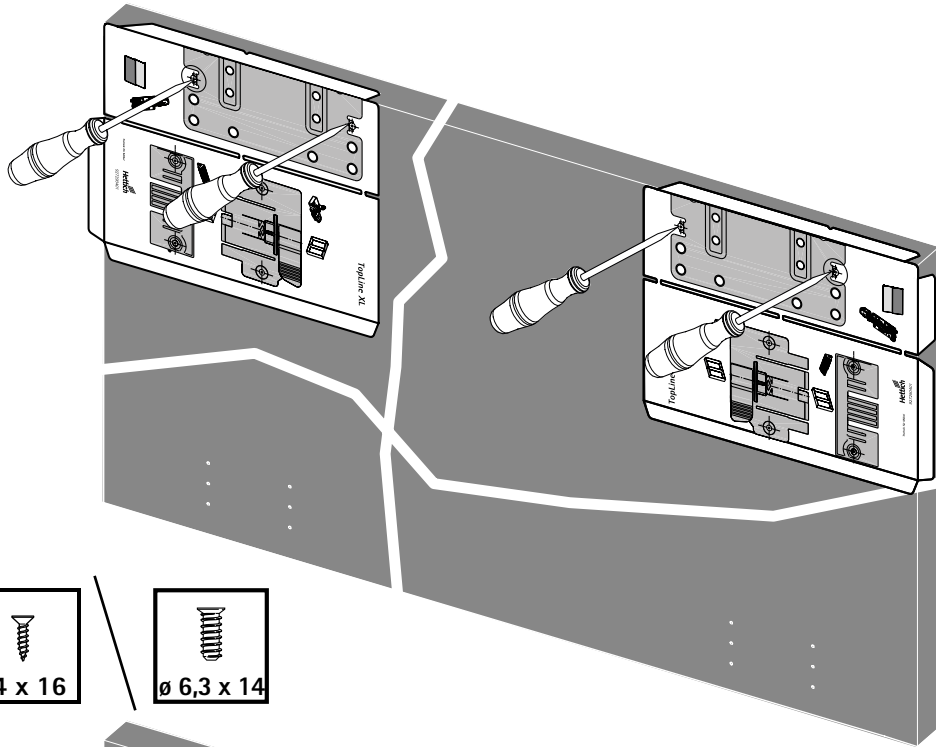
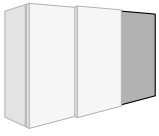


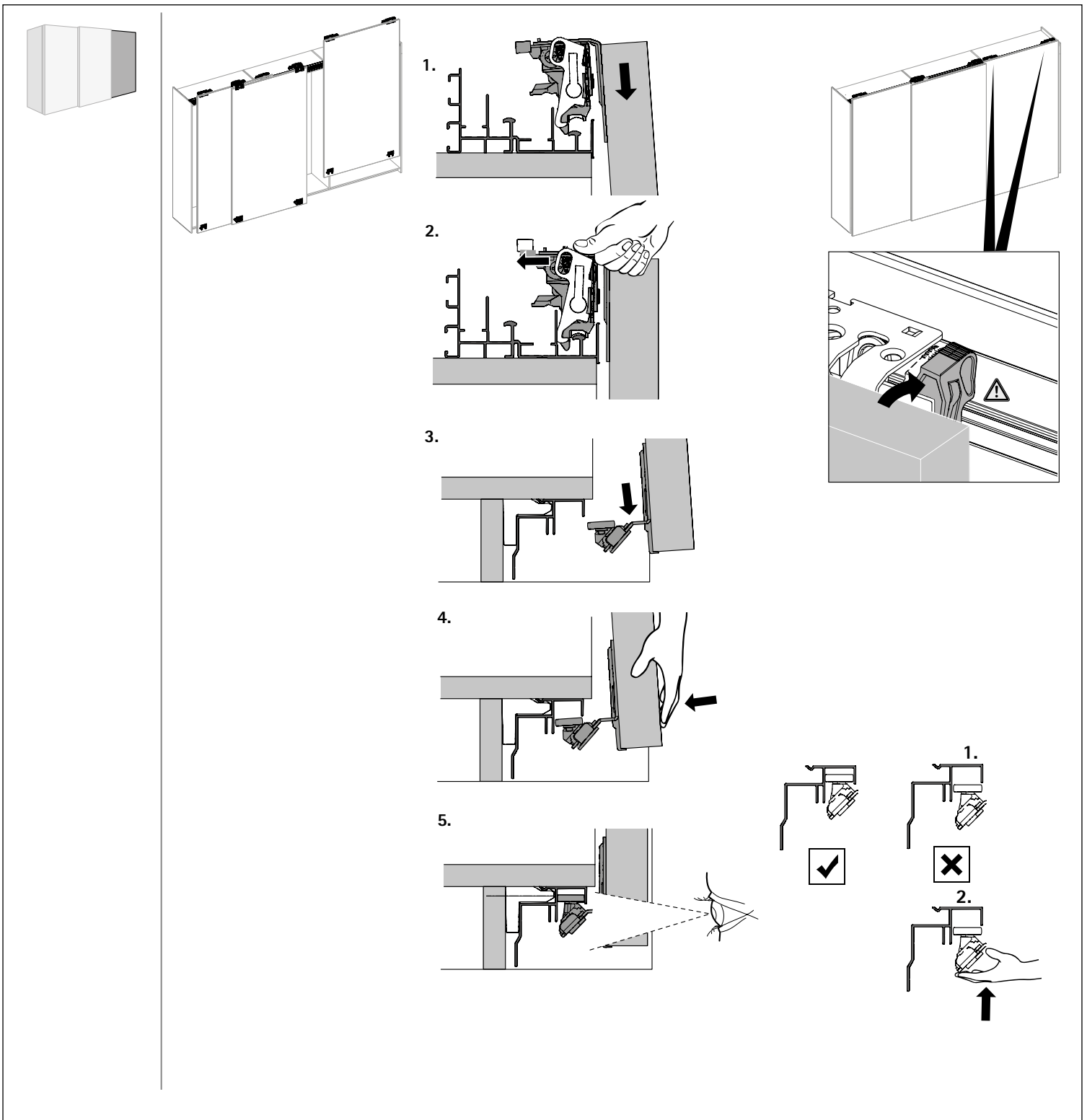
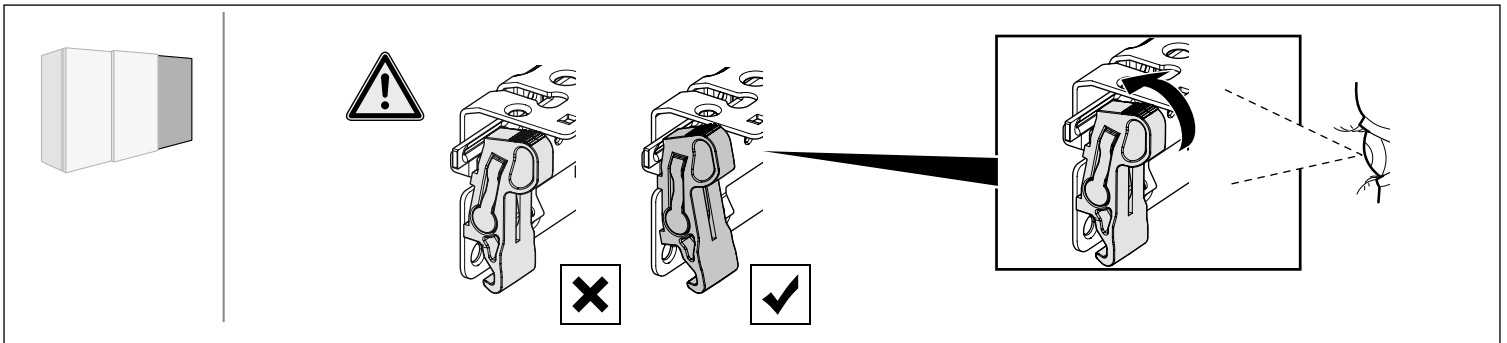


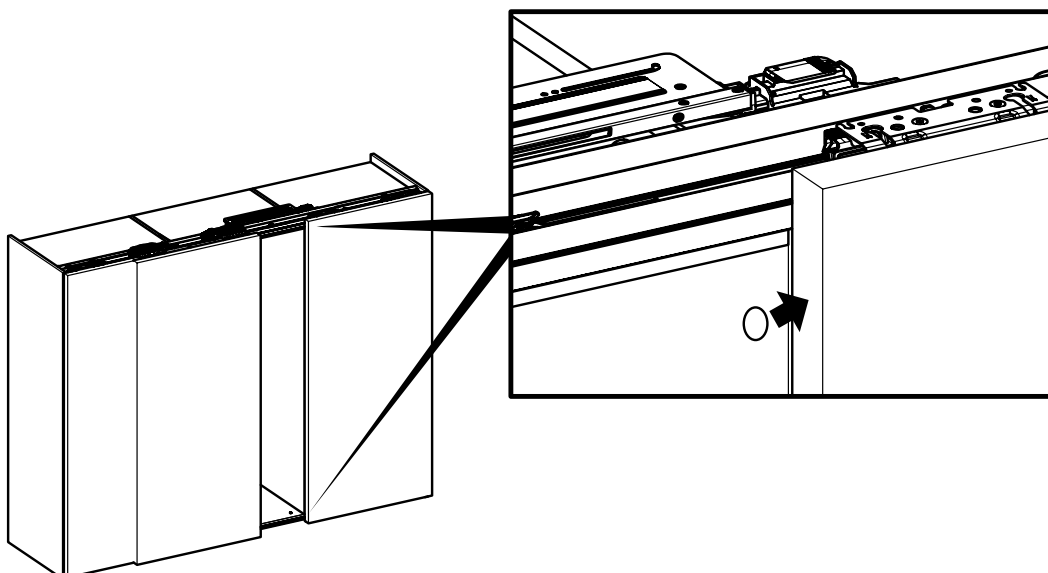
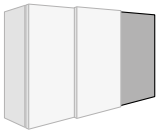
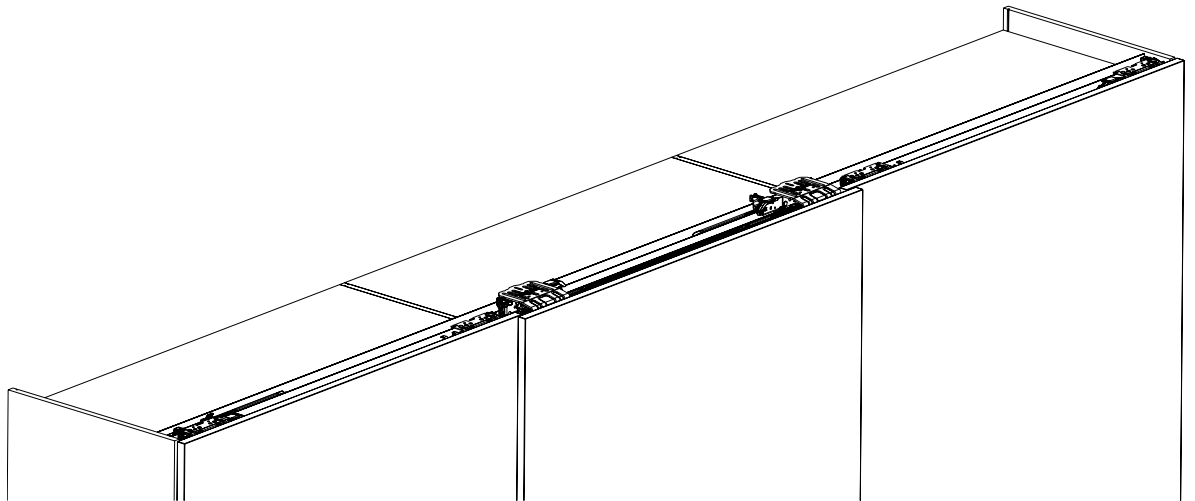
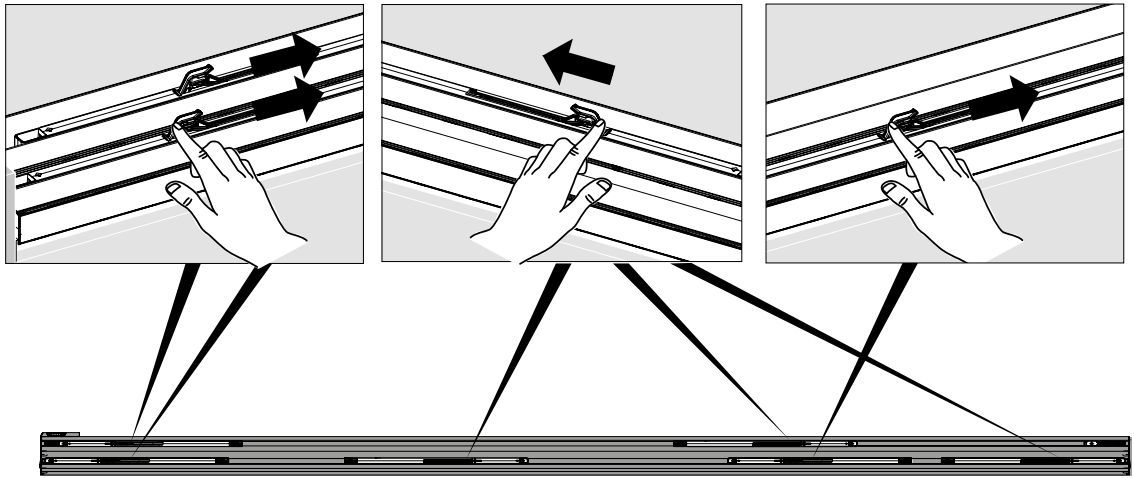






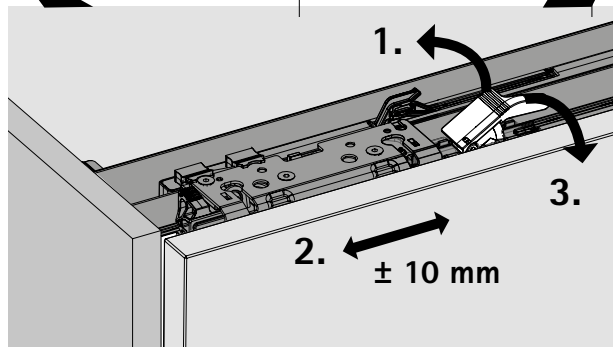
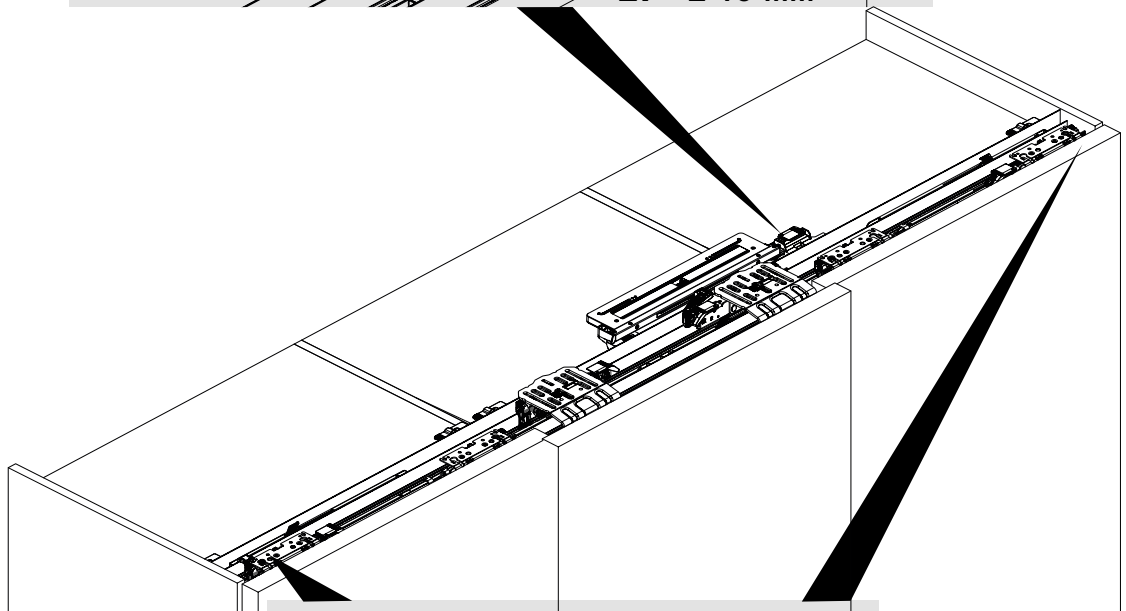
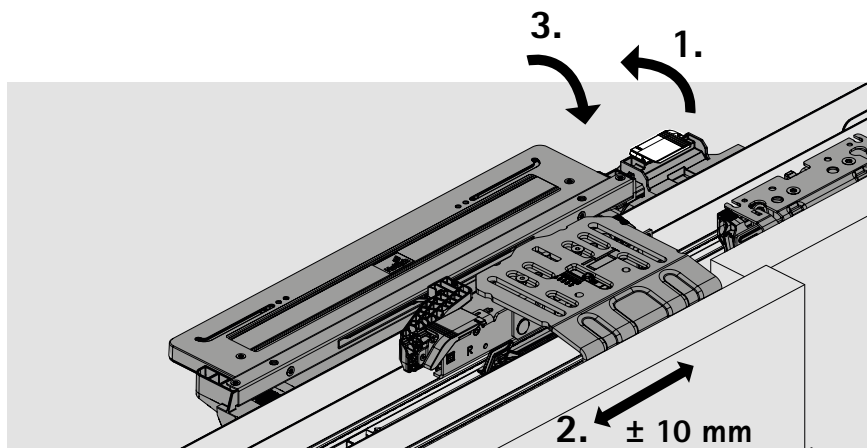
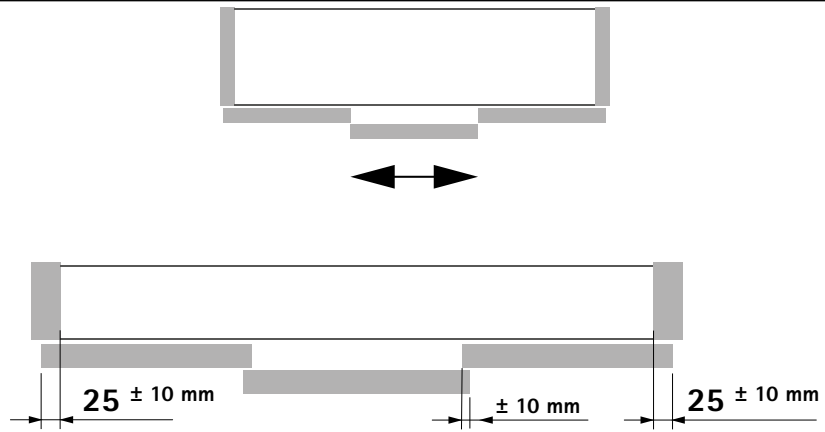






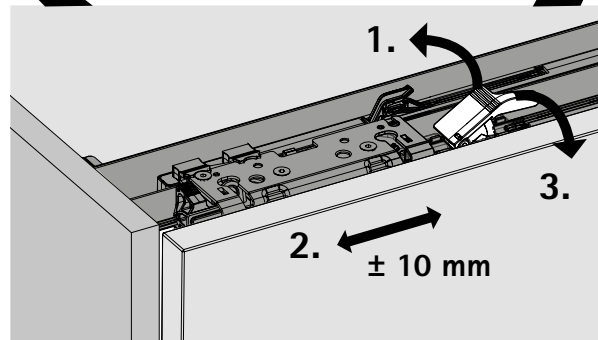
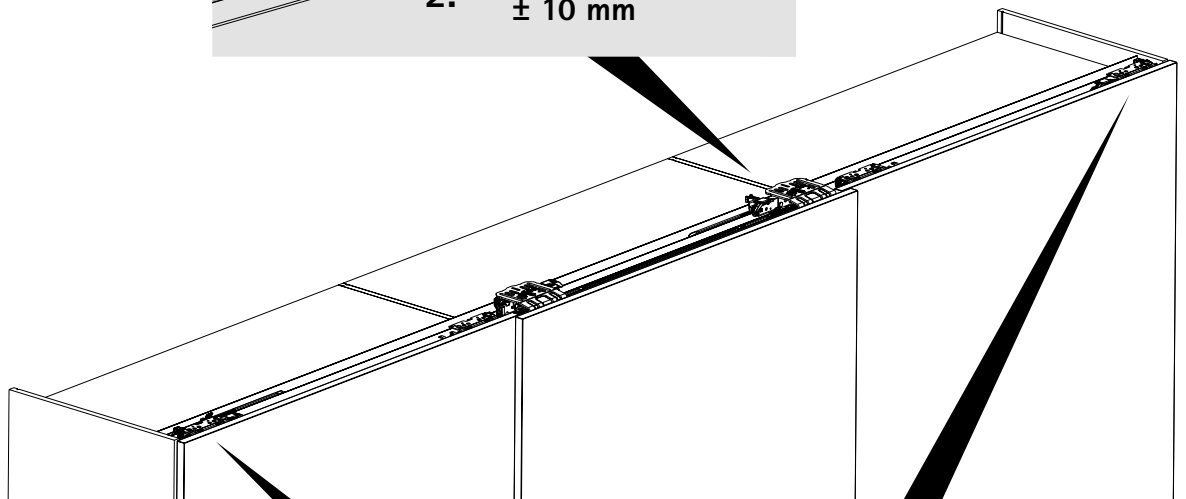
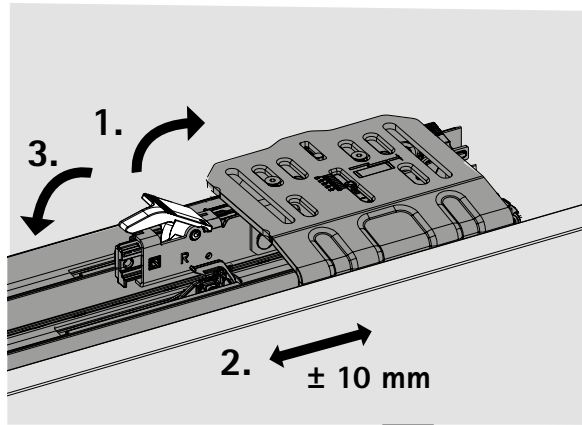
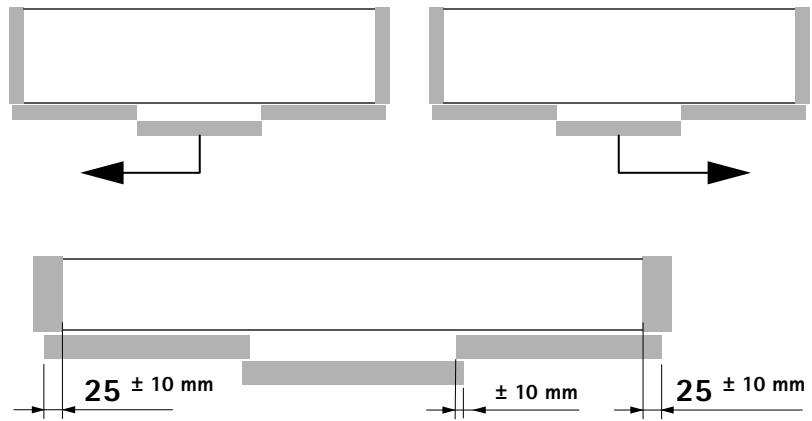


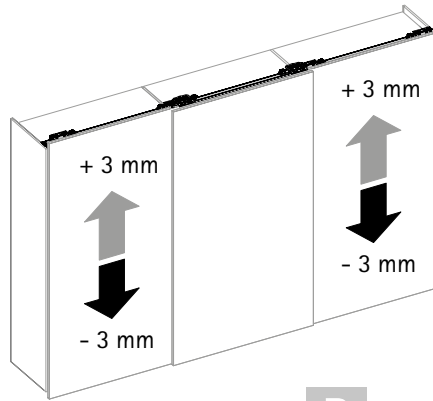
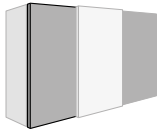
A



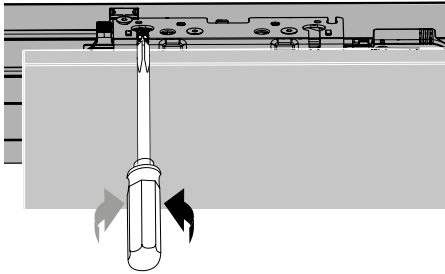


B

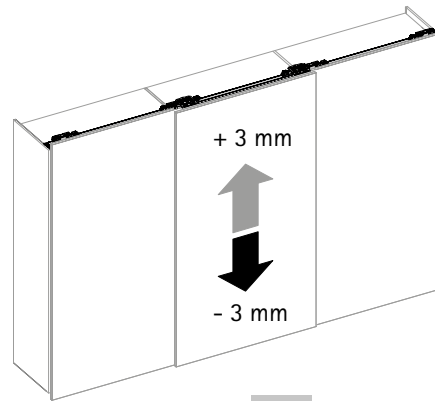
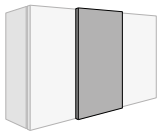
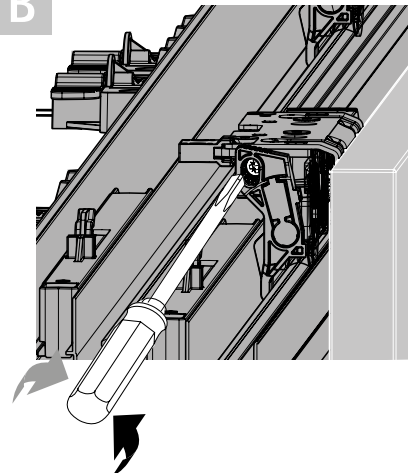




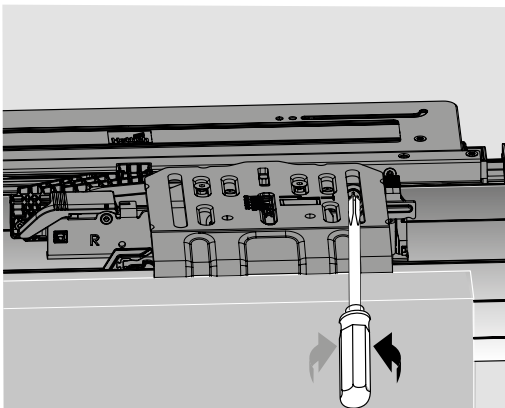
A



B



A



B

